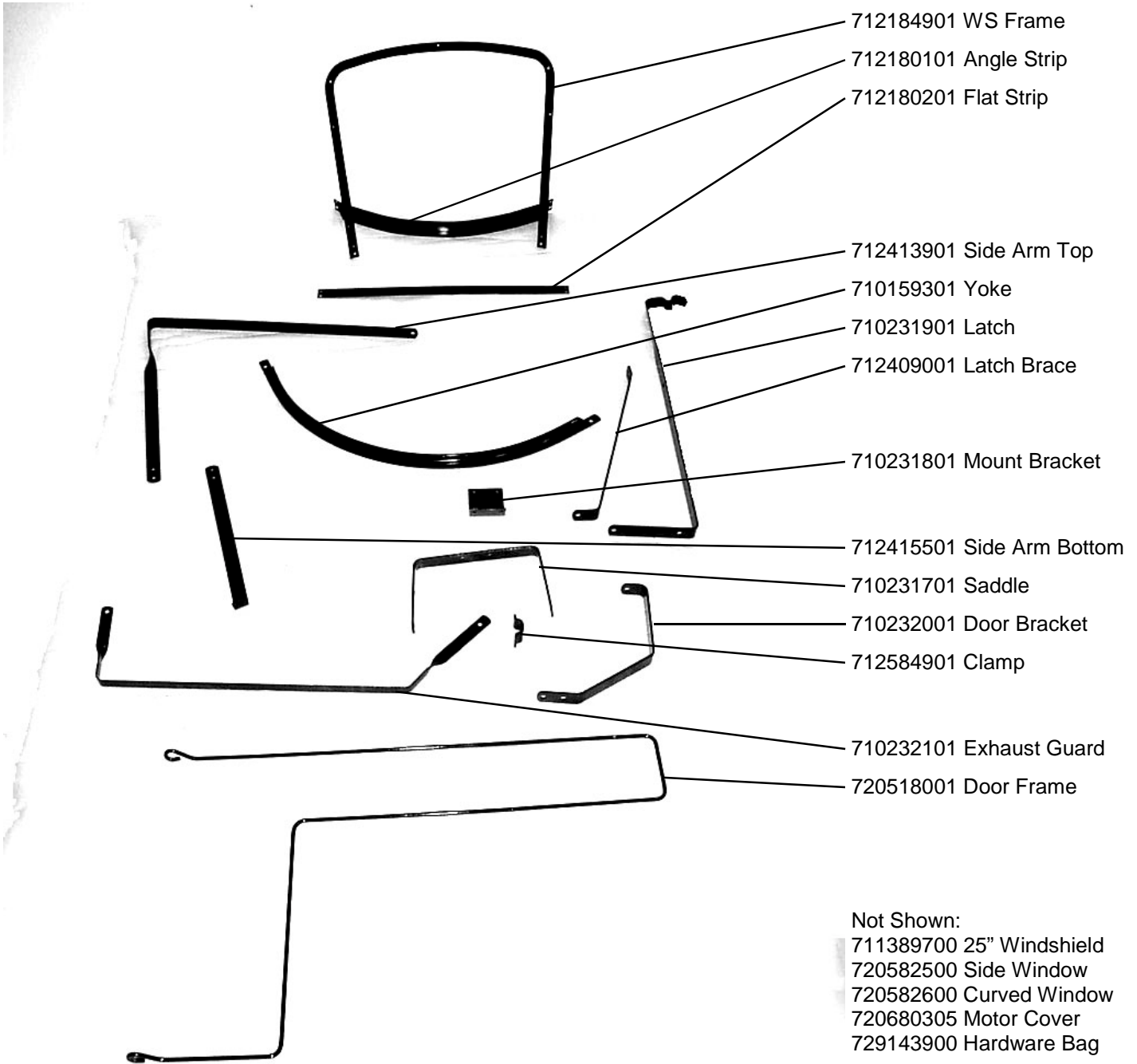


Installation Instructions for 307021439 or 307603562 FEMCO Weather Brake Fits Farmall F-766, F-966, F-1066, F-1466, F-1566, HYDRO 100 (Hydrostatic Models) (Gas or Diesel)

Listed and shown below are the parts required to install the 1439 or 3562 Weather Brake. Carefully study the photographs and identify all parts before starting assembly. Verify that all parts are in the box. Follow the installation steps numerically.



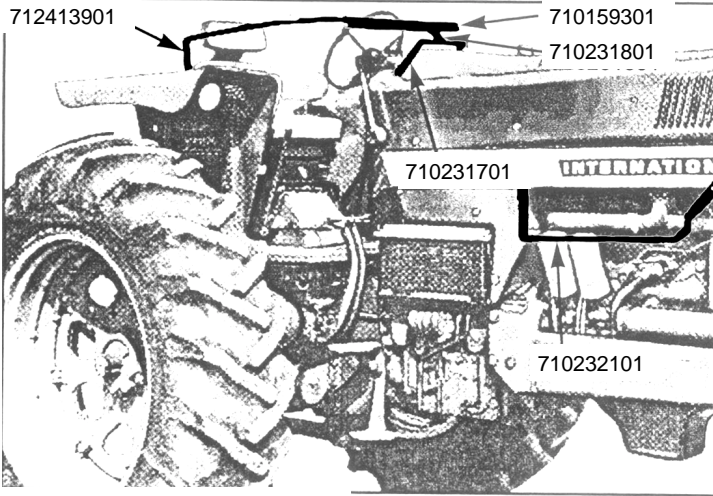


Figure 1

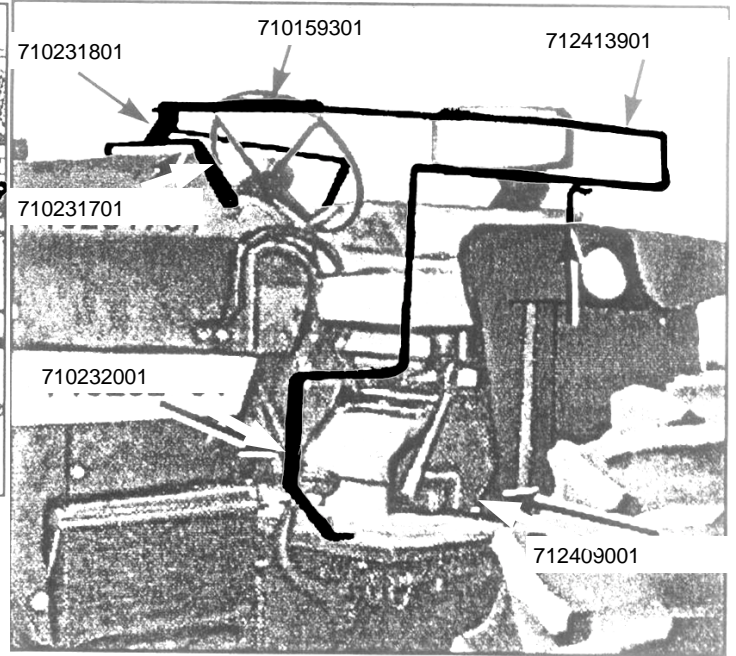


Figure 2

1. Attach # 710231701 Saddle to existing holes in tractor cowl using 1/4x3/4" hex bolts. Holes in Saddle are off center to clear light if tractor is equipped. See Figure 1 & 2

2. Attach # 710231801 Mount Bracket to Saddle using 5/16x3/4" hex bolts and nuts.

3. Attach # 710232101 Exhaust Guard to tractor using existing bolt in tractor at back end and # 712584901 Clamp with 5/16x1 1/2" hex bolt at the front end. See Figure 3

4. (A) Bolt # 712415501 Side Arm Top to # 712413901 Side Arm Bottom using two (2) 5/16x3/4" hex bolts and nuts. Insert the Side Arm assembly into the wide hem at the rear of the motor cover. Insert # 710159301 Yoke in the top hem of the Motor Cover. (B) Bolt the Side Arm Top to the Yoke using a 3/8x1 1/2" hex bolt and wing nut. Place the bolt head under the assembly and the wing nut on top.

Step 2



Step 3

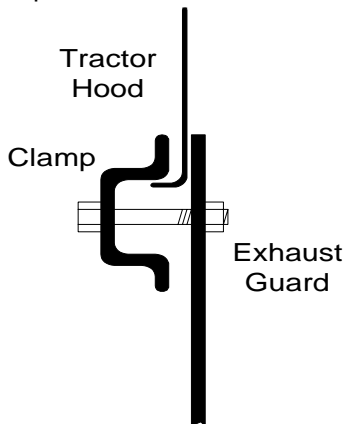
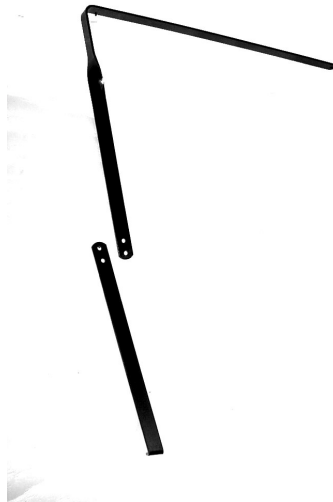
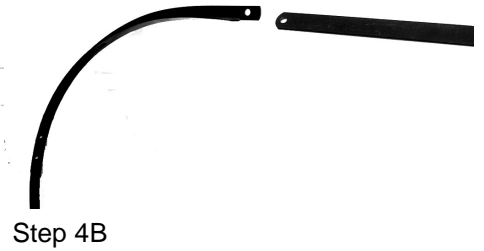


Figure 3



Step 4A



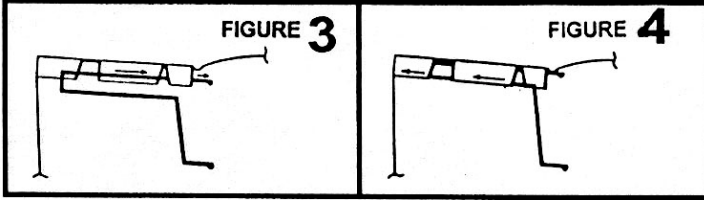
Step 4B



5. Place the Motor Cover over the tractor and attach the Yoke to the Mount Bracket using 1/4x3/4 hex bolts and nuts. Bolt heads to the front, nuts to the rear. Bolt Side Arm Bottom to platform using 3/8x1 1/2" hex bolt and nut.

6. Attach # 710232001 Door Bracket to the tractor platform on the left side using a 3/8x1 1/2" hex bolt and nut.

Step 5



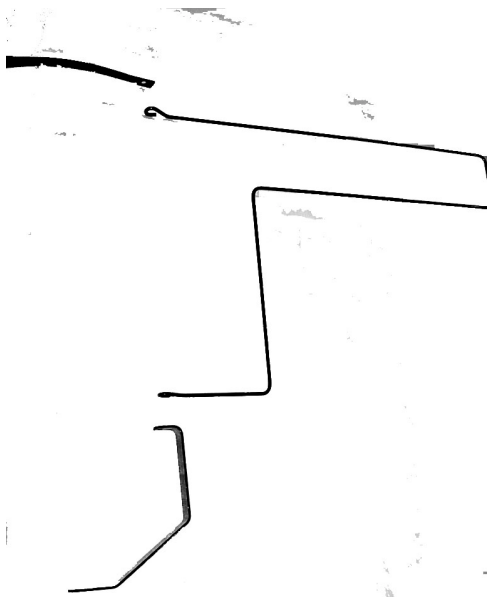
7. Slide # 720518001 Door Frame into wide 1st wide hem in Motor Cover on left side and push toward front. When frame is as far forward as it will go , push rear of Door Frame into 2nd wide hem and push back as far as the frame will go. See Figure 3 & 4

8. Attach the top of the Door Frame to the Yoke using 3/8x1 1/2" hex bolt, flat washer and two (2) nuts. Place bolt head on top of the yoke and the washer under the frame before installing nuts on bottom.

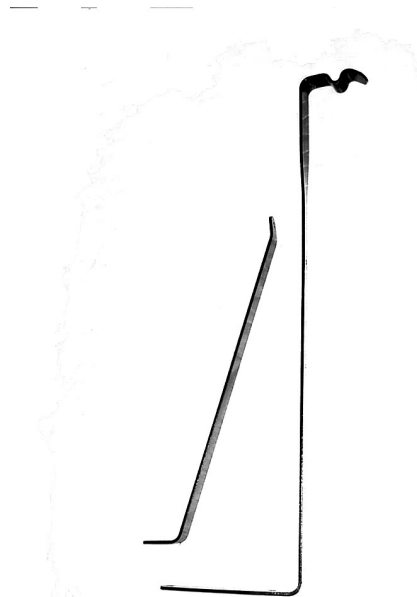
9. Attach the bottom of the Door Frame to the Door Bracket using a 3/8x1 1/2" hex bolt, flat washer and two (2) nuts. Place the bolt head under the bracket and the washer on top of the frame before installing nuts on top.

10. Straighten the Motor Cover on the tractor. Tie straps to grommets on side of the Motor cover. Attach springs to grommets on the other side of the Motor Cover. Attach straps to springs using buckles. Adjust straps so tension is maintained on springs.

11. Attach # 712409001 Latch Brace to the # 710231901 Latch using a 5/16x3/4" bolt on the top hole. Remove the bolt in the platform next to the seat and bolt the Latch to the platform using a 3/8x1 1/2" hex bolt and nut. Drill a 13/32" diameter hole where the second hole is located and attach using a 3/8x1 1/2" hex bolt and nut.



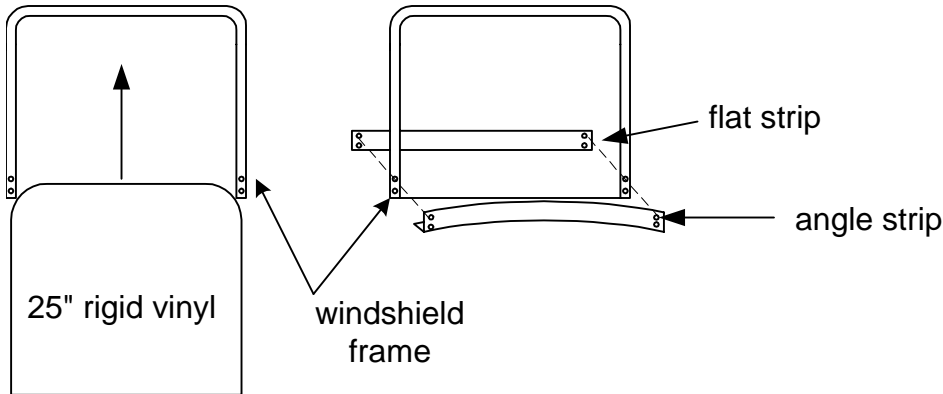
Steps 8 & 9



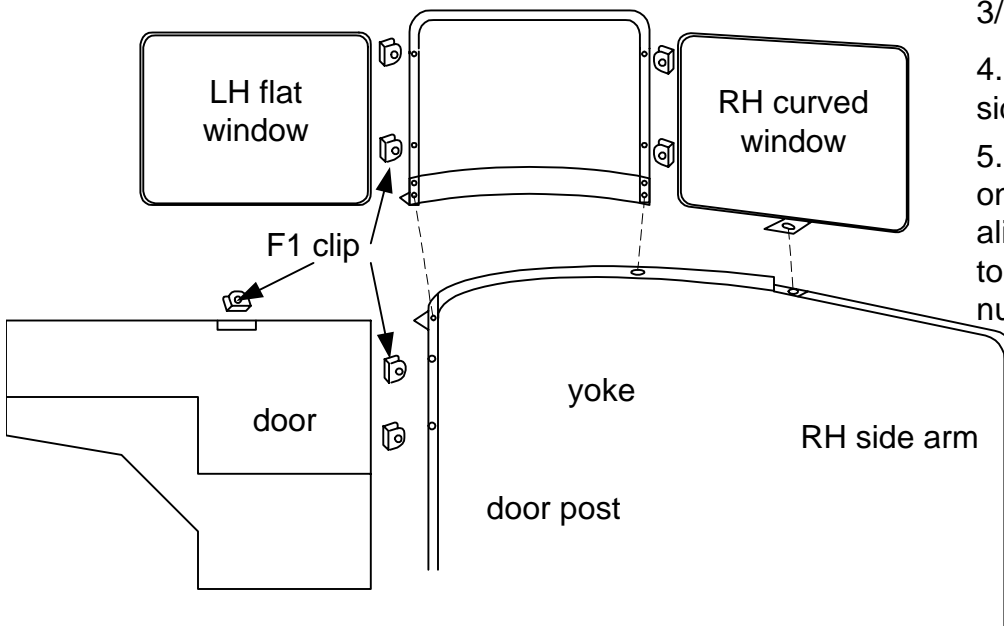
Step 11

WINDSHIELD/SIDE WINDOW ASSEMBLY INSTRUCTIONS

The pictures shown are generic drawings. The part shapes shown may vary from the parts supplied with this WB. The descriptions should be correct. Follow the instructions by step.



1. Slide the rigid vinyl into the windshield frame
2. Fasten the flat strip and angle strip to the windshield frame using 2 - 3/16 x 3/4 bolts in the top holes. Tighten nuts.



3. Cut slots in RH curved window to match holes in frame. Insert F1 clips in slots, around wire, and bolt to frame using 2- 3/16 x 3/4" bolts and nuts
4. Repeat step 3 for LH side window.
5. Place windshield assembly on yoke so lower RH hole aligns with slot in yoke. Bolt to yoke using 1/4 x 1 bolt and nut.

6. Remove nut, place lower LH hole over existing bolt at door post/yoke and replace nut.

7. Remove the nut and place the bottom of the RH side window over the existing bolt at the yoke/ side arm. Replace the nut.

8. Place an F1 clip through the cut out in the top of the door. Punch a small hole through the vinyl in the LH side window and bolt using a 3/16 x 3/4 bolt and nut



General Offices
1132 W. 1ST STREET
Mcpherson, KS 67460
Phone: 620-241-3513
Toll Free 1-800-677-0898
Fax: 620-241-3532
www.femcomfg.com