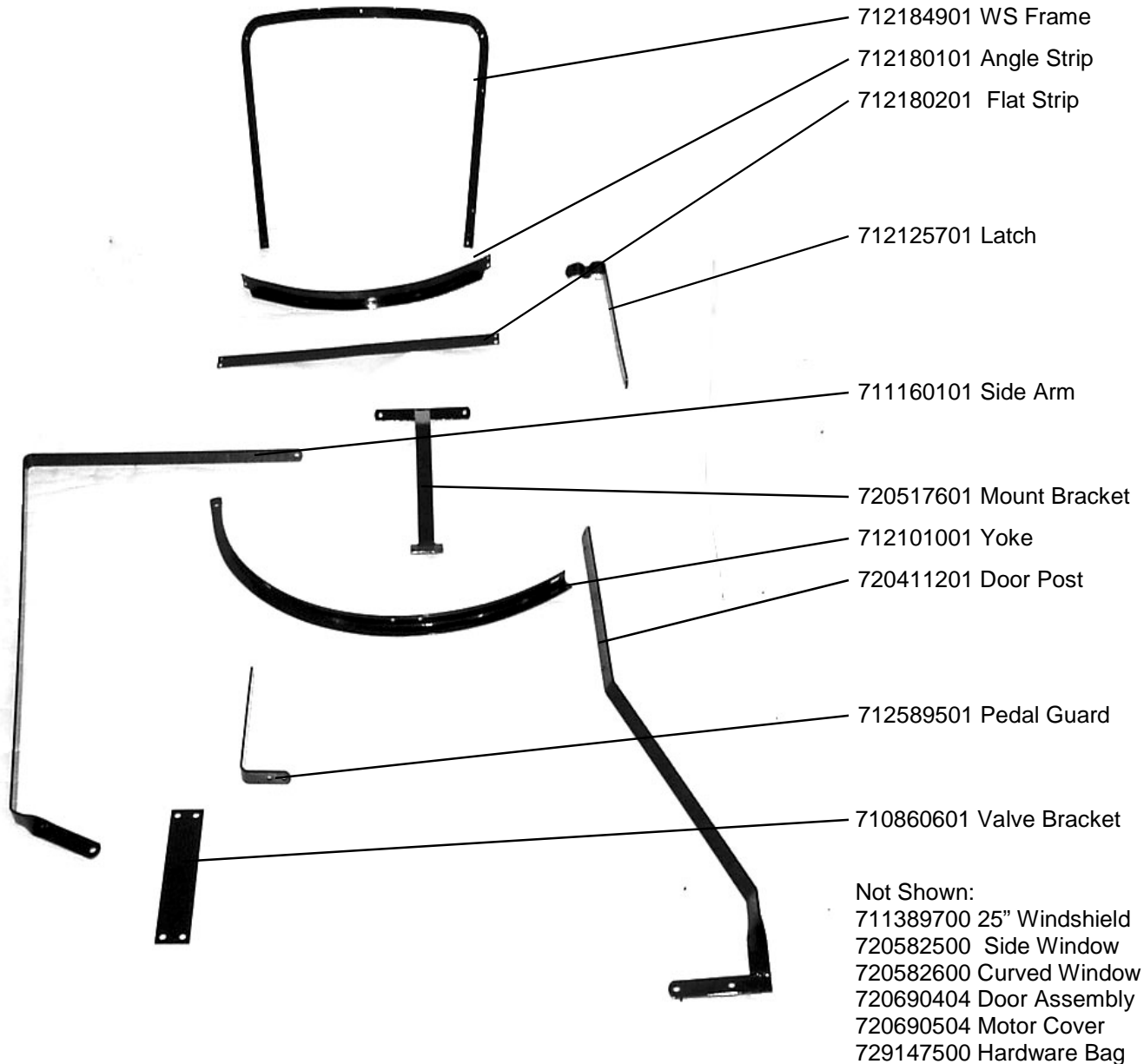


Installation Instructions for 307021475 or 307603575 FEMCO Weather Brake

Fits: John Deere 2840, 2940, 2950, 2955 (Rigid steering column only)
3130 & 3140 (Canadian)

Listed and shown below are the parts required to install the 1475 or 3575 Weather Brake. Carefully study the photographs and identify all parts before starting assembly. Verify that all parts are in the box. Follow the installation steps numerically.



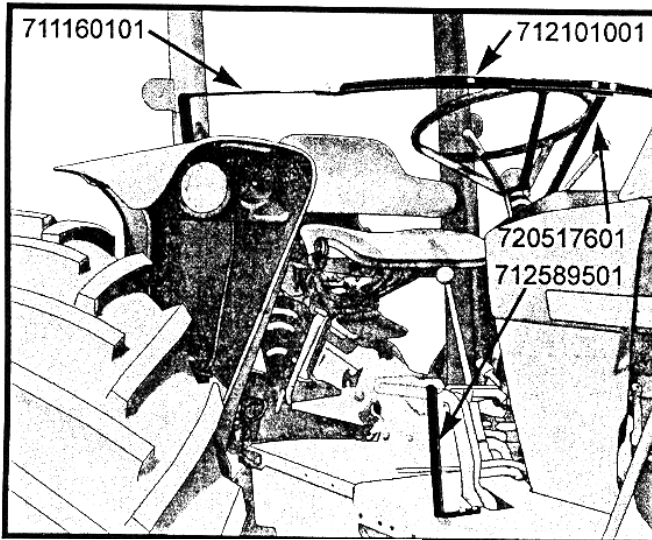


Figure 1

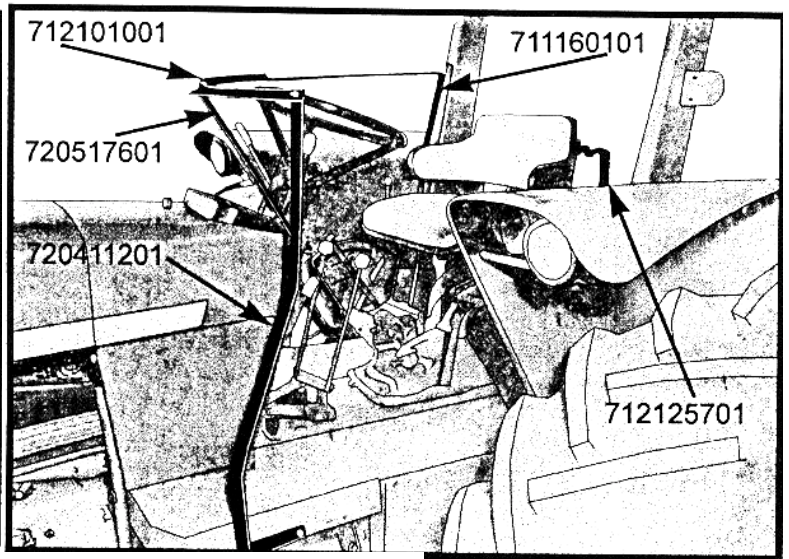
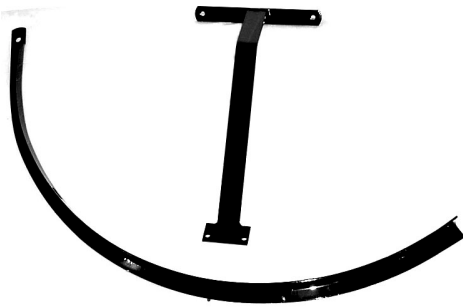


Figure 2

1. Center # 720517601 Mount Bracket on dash above steering column on all models. Mark holes and drill 7/32" diameter holes. Attach Mount Bracket using two (2) 1/4x3/4 self tapping screws. See Figure 3

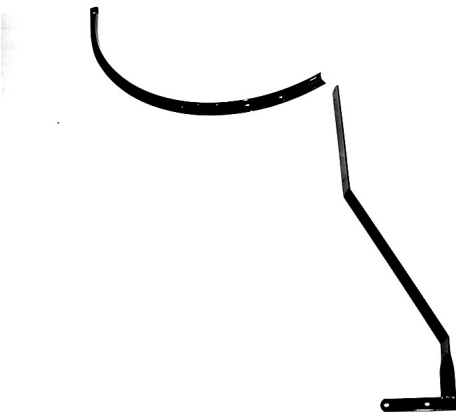
Model 2840 & 3130 the bracket is centered between column and tachometer.

Model 2940 the bracket is centered between column and raised section of dash.



Step 2

2. Place Motor Cover over tractor. Insert # 712101001 Yoke into wide hem at top of Motor Cover. Attach the Yoke to the Mount Bracket using two (2) 1/4x3/4" hex bolts and nuts. Place bolt heads to front and nuts to rear of assembly.



Step 3

3. Insert # 720411201 Door Post into wide hem on left side of motor cover. Attach top of Door Post to Yoke using 1/4x1" hex bolt and nut. Place bolt head to rear and nut to front. Attach the bottom of the Door Post to the side of the platform using 3/8x1 hex bolt and nut. The back hole in the Door Post goes to the front hole in platform. Drill 13/32" diameter hole in platform using front hole in Door Post as a template

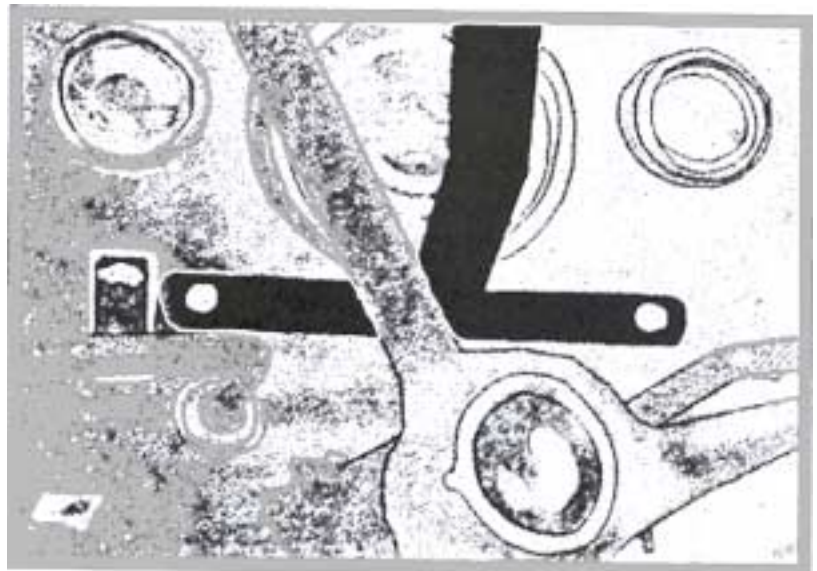
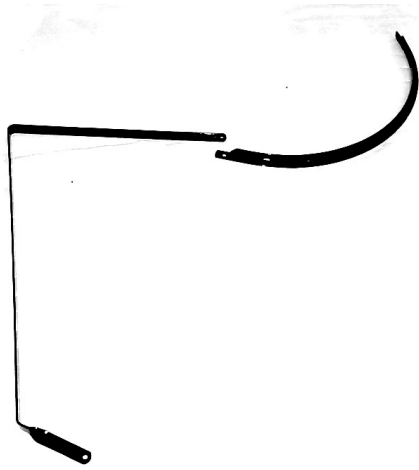


Figure 3



Step 4

4. Insert # 711160101 Side Arm into wide hem on right side of Motor Cover. Attach the Side arm to the Yoke using 3/8x1 1/2" hex bolt and wing nut. Place the bolt head under the assembly and the nut on top. Attach the bottom of the Side Arm to the rear hole in the side of the platform using 3/8x1 1/2" hex bolt and nut.

5. Straighten the Motor Cover on the tractor. Tie straps to grommets on side of the Motor cover. Attach springs to grommets on the other side of the Motor Cover. Attach straps to springs using buckles. Adjust straps so tension is maintained on springs.

6. Place # 7125895501 Pedal Guard on right side of platform so Motor Cover is held away from brake pedals. Using the Pedal Guard as a template mark holes in platform. Drill 1 1/32" diameter holes in platform. Attach Pedal Guard to platform using two (2) 5/16x1 hex bolts and nuts.

7. Find hinge holes in Door Post and punch holes through Motor Cover at hole locations. Place Door Assembly level with the bottom of the Yoke and mark Door Post hole locations. Cut slits in Door Assembly around wire frame and insert F1 clips. Attach F1 clips to Door Post using 3/16x3/4" hex bolts and nuts. Tie straps sewn on Motor Cover to Door Assembly grommets. See Window Assembly Instructions

8. Place # 712125701 Latch under Door Assembly frame in lower cut out. Latch is turned toward seat. Using Latch as template mark holes in fender. Drill 13/32" diameter holes in fender. Attach Latch to fender using 3/8x1 1/2" hex bolts and nuts.

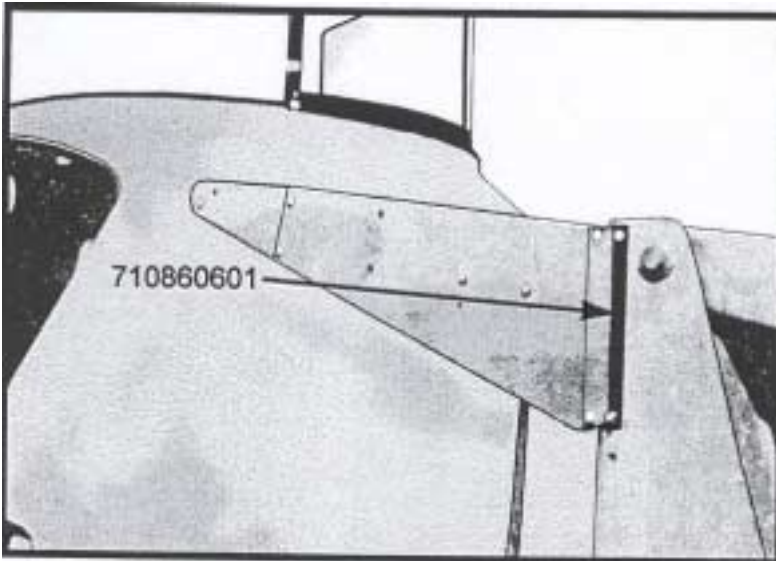


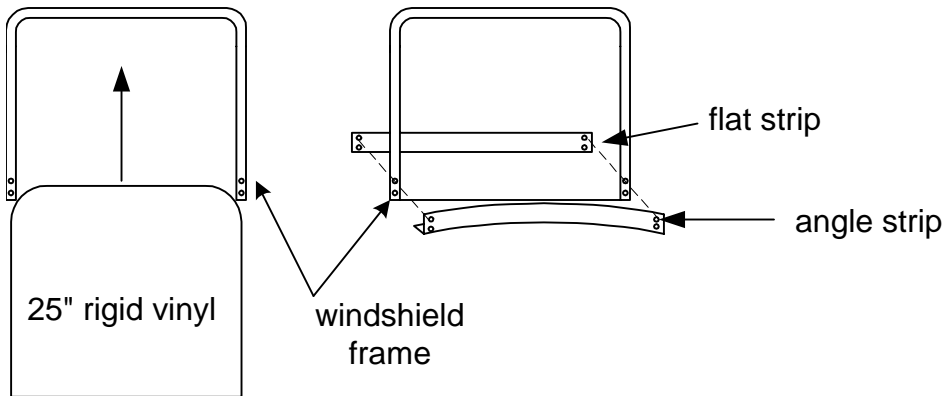
Figure 4

9. If tractor is equipped with JD Model 148 front loader attach # 710860601 Valve Bracket between loader post and valve. This extends valve in to clear yoke. Slit bound slots in Motor Cover for valve. See Figure 4

10. **Model 2940—a strap must be tied under dash from side to side.**

WINDSHIELD/SIDE WINDOW ASSEMBLY INSTRUCTIONS

The pictures shown are generic drawings. The part shapes shown may vary from the parts supplied with this WB. The descriptions should be correct. Follow the instructions by step.



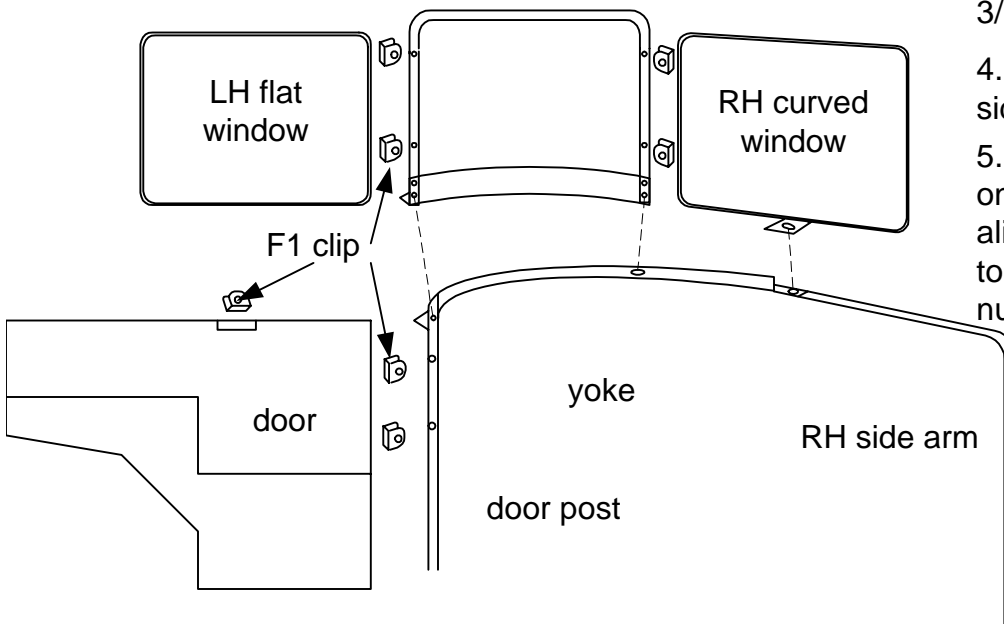
1. Slide the rigid vinyl into the windshield frame

2. Fasten the flat strip and angle strip to the windshield frame using 2 - 3/16 x 3/4 bolts in the top holes. Tighten nuts.

3. Cut slots in RH curved window to match holes in frame. Insert F1 clips in slots, around wire, and bolt to frame using 2- 3/16 x 3/4" bolts and nuts

4. Repeat step 3 for LH side window.

5. Place windshield assembly on yoke so lower RH hole aligns with slot in yoke. Bolt to yoke using 1/4 x 1 bolt and nut.



6. Remove nut, place lower LH hole over existing bolt at door post/yoke and replace nut.

7. Remove the nut and place the bottom of the RH side window over the existing bolt at the yoke/ side arm. Replace the nut.

8. Place an F1 clip through the cut out in the top of the door. Punch a small hole through the vinyl in the LH side window and bolt using a 3/16 x 3/4 bolt and nut



General Offices
1132 W. 1ST STREET
Mcpherson, KS 67460
Phone: 620-241-3513
Toll Free 1-800-677-0898
Fax: 620-241-3532
www.femcomfg.com