

INSTALLATION INSTRUCTIONS

FOR

#1471 HINSON-FEMCO WEATHER BRAKE

FITS JOHN DEERE 1050 (UPRIGHT OR DOWN EXHAUST)

Listed below are the special parts required for the proper installation of the 1471 Hinson-Femco Weather Brake. Carefully study the photo diagrams showing the location of each part. Follow the various steps numerically. Each part has Part Number stamped on it.

- | | | |
|-----------------------------|---|-------------------------------|
| 1 - #712101001 Yoke | 1 - #712212101 Pedal Guard | 1 - #710902601 Latch |
| 1 - #710997501 Yoke Bracket | 1 - #710902701 Exhaust Guard (Horizontal) | 1 - #720755304 Door |
| 1 - #710997601 Door Post | 1 - #720442801 Exhaust Guard (Vertical) | 1 - #711019001 Cylinder Guard |
| | | 1 - #710997701 Post Bracket |
| | | 1 - #720489701 Side Arm |

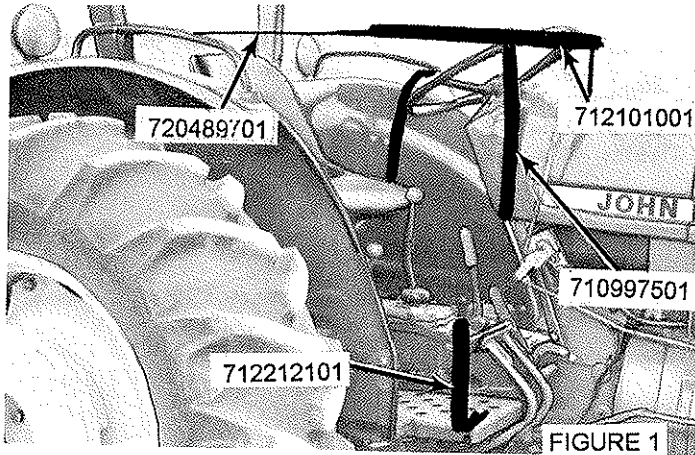


FIGURE 1

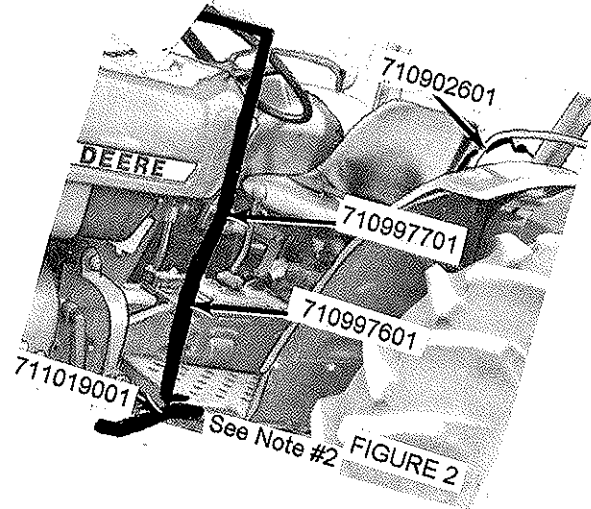


FIGURE 2

1. Remove inspection panel below key. Bolt #710997501 yoke bracket and #710997701 post bracket using 5/16" x 1" bolts, and nuts. See Figure 1.
2. Place cover over tractor and slide #712101001 yoke into wide hem on top of cover. Bolt yoke to yoke bracket using 1/4" x 1" bolts and nuts. NOTE: Head of bolt to inside of tractor. See Figure 1.
3. Insert #710997601 door post into wide hem on left side and bolt top to yoke using 1/4" x 1" bolt and nut. Set bottom of door post on step so back hole is 11/2" from front edge of step. Adjust angle of post so that steering arm does not interfere with door post. Drill (2) 13/32" holes in step and bolt door post to step using 3/8" x 11/2 bolts and nuts. Bolt post bracket to door post using 5/16" x 1" bolt and nut. See Figure 2.
4. Insert #720489701 side arm into wide hem on right side and bolt to yoke using 3/8" x 11/2" bolt and nut. Bolt back to grab rail using 1/4" x 3/4" x 11/4" U-bolt. See Figure 1.
5. Bolt #712212101 pedal guard to right step using center hole in 2nd row from front. Use 3/8" x 11/2" bolt and large washer under step. See Figure 1.
6. Straighten cover and tie to adjust all straps and springs for a proper fit. Using F-1 clips as hinges, attach door to door post. Tie door flap to cover. See Figure 4.
7. Place #710902601 latch up under bottom of door and mark through holes in latch onto fender. Drill (2) two 13/32" holes in fender and bolt latch to fender using 3/8" x 11/2" bolts and nuts. See Figures 1 & 2.
8. **IF TRACTOR HAS UPRIGHT EXHAUST** - Remove patch from cut out on right side of cover and button strap behind exhaust. **IF TRACTOR HAS DOWN EXHAUST** - Bolt #710902701 exhaust guard to right step. Front hole in exhaust guard will match hole in step. Bolt to step using 3/8" x 11/2" bolts and nuts. Drill through 2nd hole. Bolt #720442801 exhaust guard to exhaust using 5/16" x 13/4" x 211/16" U-bolt and nuts. Bolt both exhaust guards together using 1/4" x 1" bolt and nut. See Figure 3.

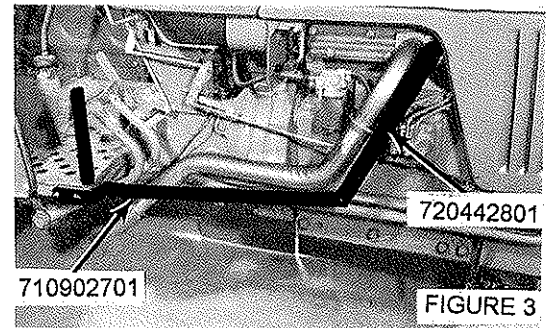


FIGURE 3

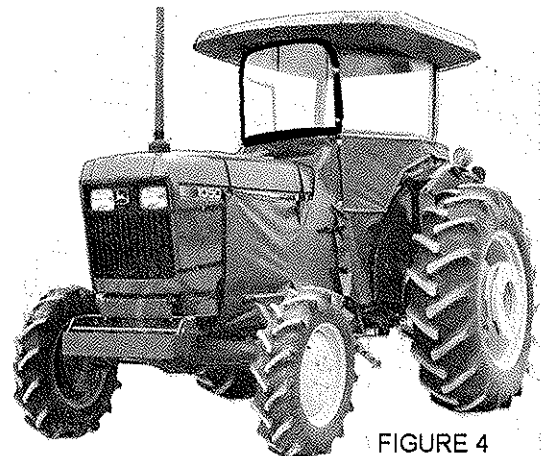
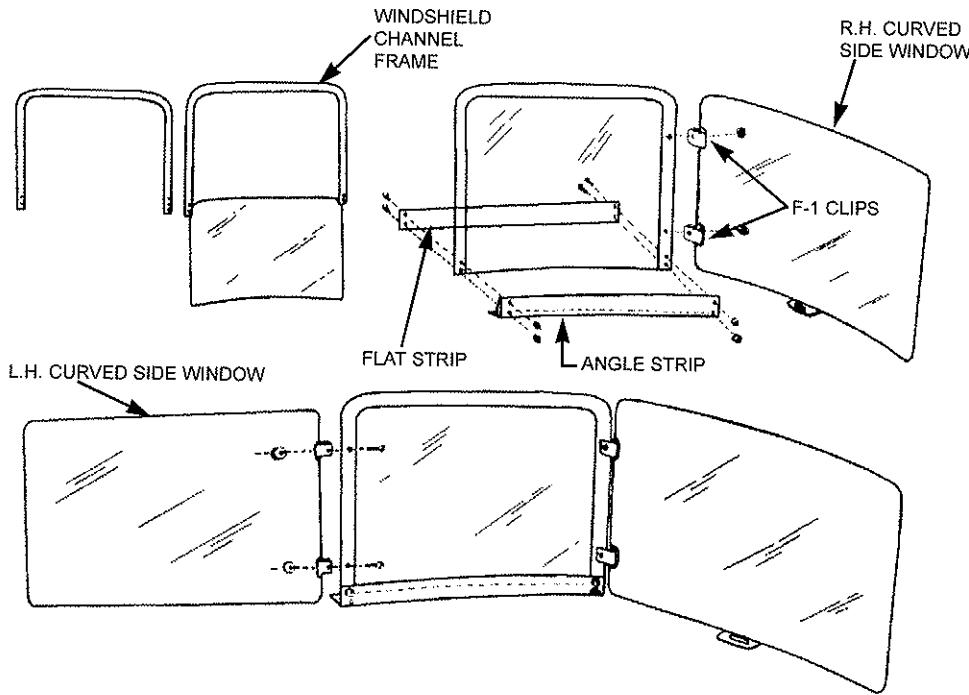


FIGURE 4

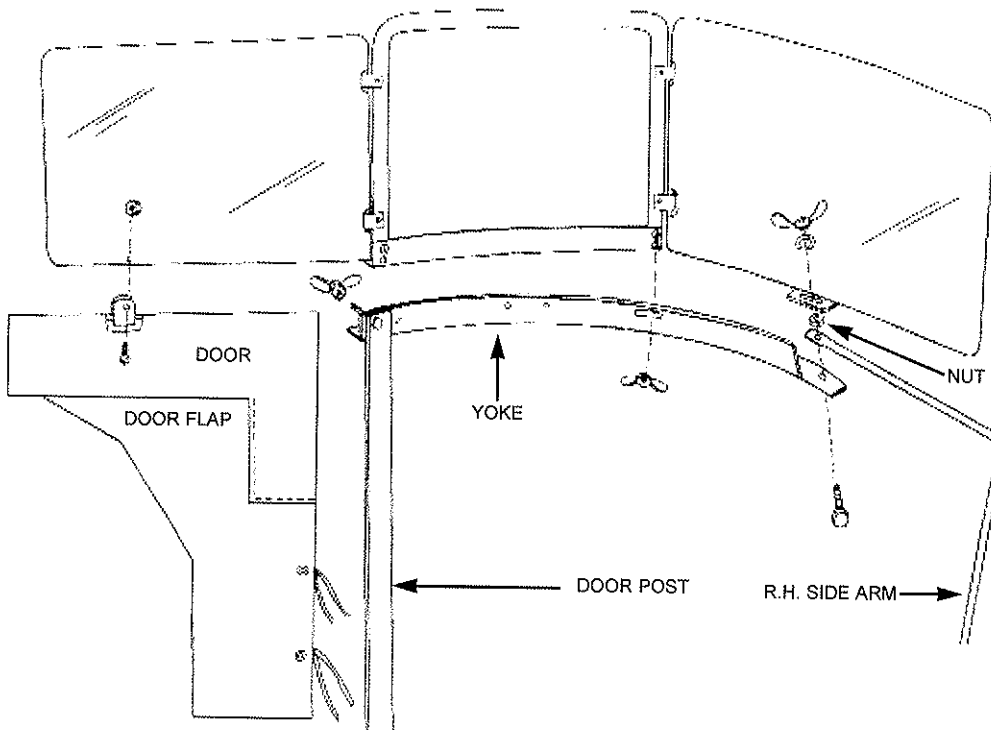
NOTE: For tractors with power steering cylinder, install cylinder guard #711019001 to front edge of left foot rest to hold the cover away from cylinder. Drill 9/32 holes in foot rest and install cylinder guard with 1/4" x 1" bolts. FORM NO.286139900

NOTE: Left side window should be bent to match contour of door before installing. Place on table edge and push down.

WINDSHIELD ASSEMBLY INSTRUCTIONS



1. Slide glass into channel of windshield frame.
2. Fasten the flat strip and angle strip to windshield channel using two 3/16" x 1/2" bolts in top holes and 1/4" x 1" bolts in lower holes. Tighten nuts.
3. Cut slots in vinyl as shown in picture, insert F-1 clips in slots of R.H. curved side window. Secure this assembly to windshield channel frame with 3/16" x 3/4" bolts.
4. To install L.H. side window see step No. 3.
5. Place windshield assembly on yoke so bolt in lower right corner of windshield fits into slot in yoke. Place hole in lower left corner over bolt in top of door post. Secure with wing nuts.
- 6.



Secure the right side window to rear edge of yoke and side arm as shown using flat lockwasher, nut and wing nut.

Insert F-1 clip in cut out in top of door, punch hole through vinyl in L.H. side window as shown. Secure it with a 3/16" x 3/4" bolt.

NOTE: Door and door flap shape and size might be different than the model shown.

FEMCO, Inc.

GENERAL OFFICES
 500 North 81 By-Pass
 P.O. Box 1186
 McPherson, Kansas 67460
 Phone: (316) 241-3513
 FAX: 1-316-241-3532
 Toll Free: 1-800-677-0898

Subsidiaries
 HINSON-FEMCO
 JANTZ-FEMCO
 FEMCO PLASTICS
 AMERICAN PRIDE GOLF PRODUCTS