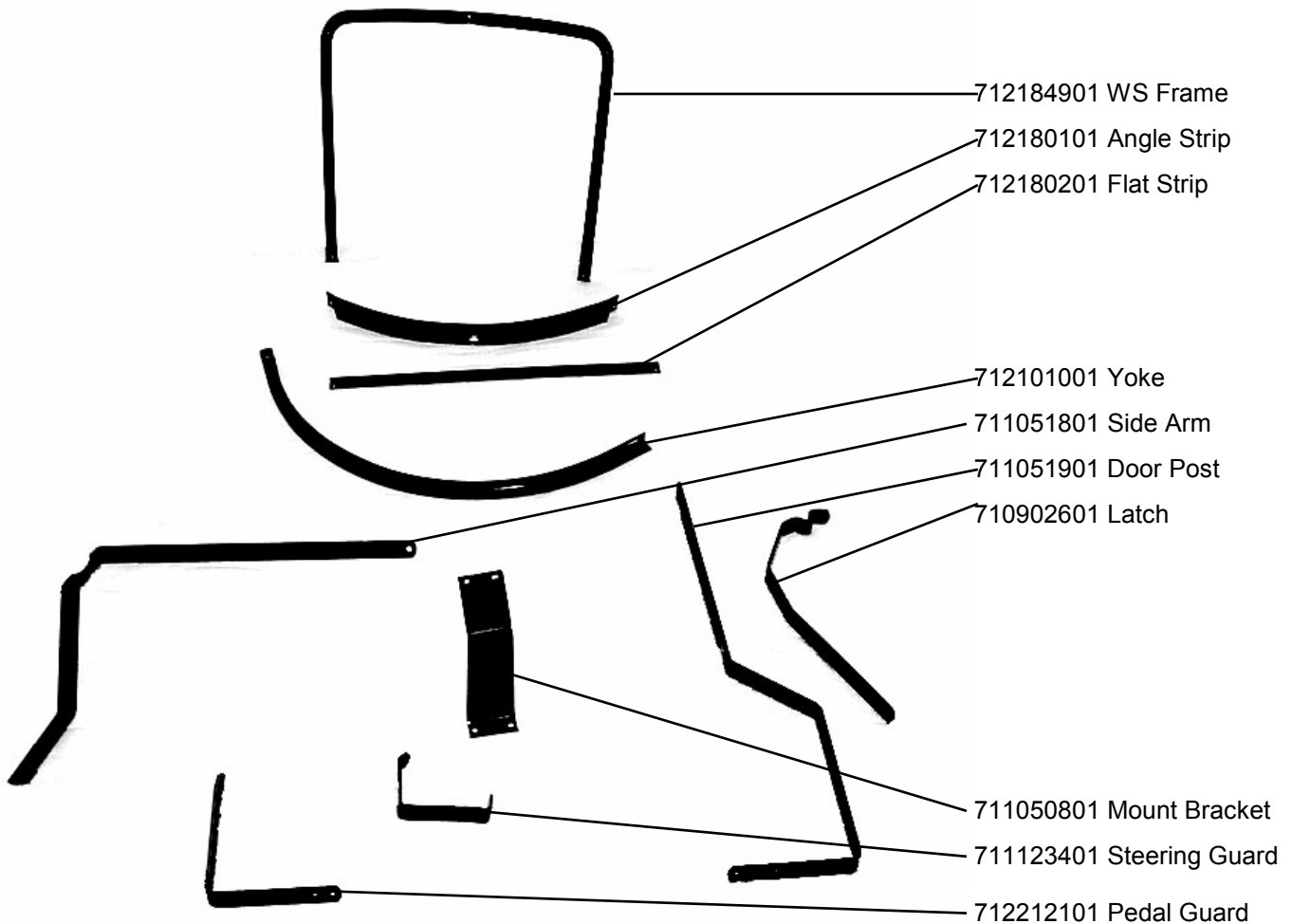


**Installation Instructions for
307021482 or 307603586 FEMCO Weather Brake
Fits: John Deere 650 & 750 Up exhaust only**

Listed and shown below are the parts required to install the 1482 or 3586 Weather Brake. Carefully study the photographs and identify all parts before starting assembly. Verify that all parts are in the box. Follow the installation steps numerically.



- Not Shown:
711389700 25" Windshield
720582500 Side Window
720582600 Curved Window
Model 307021482 Vinyl
720715304 Motor Cover
720715404 Door Assembly
729148200 Hardware Bag
Model 307603586 Canvas
720862904 Motor Cover
720863004 Door Assembly
729358600 Hardware Bag

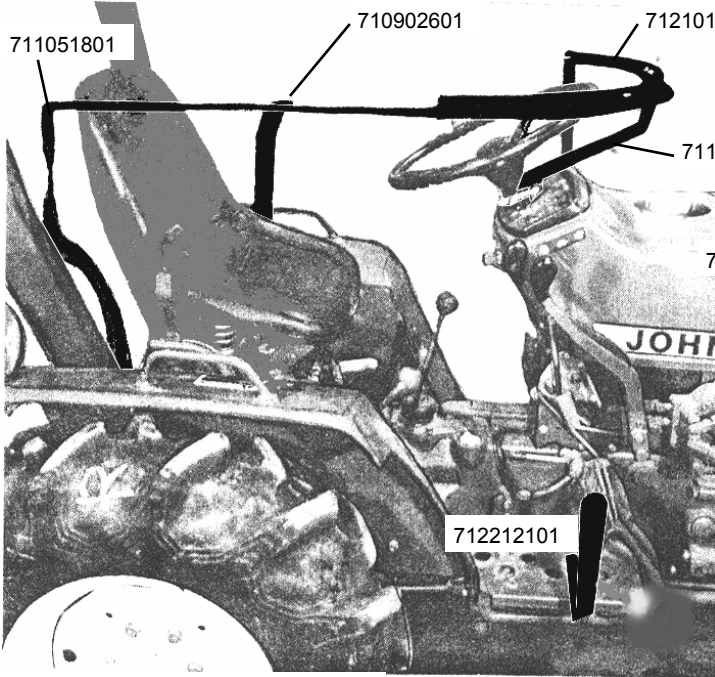


Figure 1

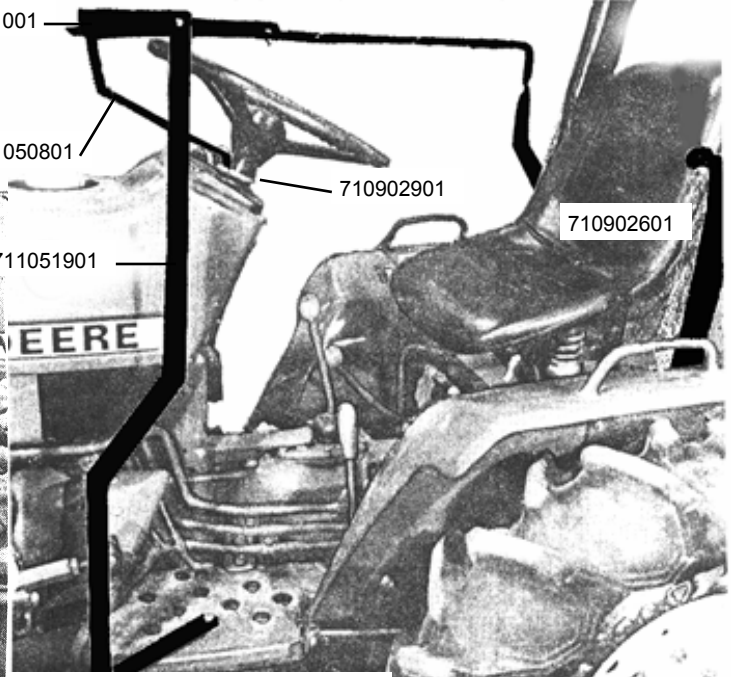
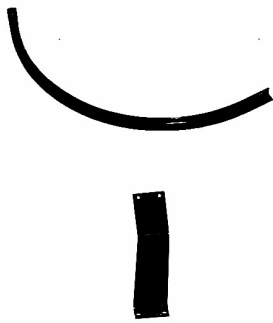


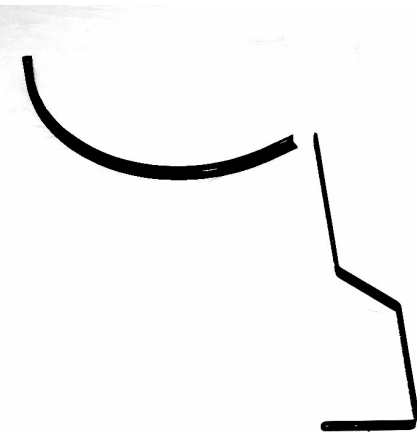
Figure 2



1. Place two (2) # 710902901 Collars around steering column and attach # 711050801 Mount Bracket with 5/16" U-bolt and nuts. See Figures 1 & 2

2. Attach # 712212101 Pedal Guard to right side of platform so Motor Cover will be held away from brake pedal. Attach Pedal Guard to existing hole in platform using 3/8x1 1/2" hex bolt, cupped washer and nut. See Figure 1

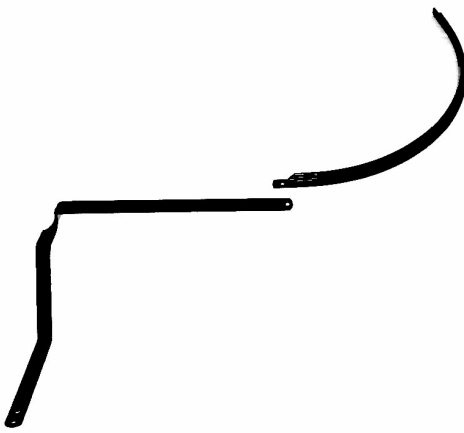
Step 3



3. Place Motor Cover over tractor. Insert # 712101001 Yoke into wide hem at top of Motor Cover. Attach Yoke to Mount Bracket using two (2) 1/4x3/4" hex bolts and nuts. Place bolt heads to front and nuts to rear of assembly. See Figure 1 & 2

4. Insert # 711051901 Door Post into wide hem on left side of Motor Cover. Attach top of Door Post to Yoke using 1/4x1" hex bolt and nut. Place bolt head to rear and nut to front of assembly. Attach the bottom of the Door Post to existing hole in platform using a 3/8x1 1/2" hex bolt, cupped washer and nut. See Figure 2

Step 4



5. Insert # 711051801 Side Arm into wide hem on right side of Motor Cover. Attach the Side Arm to the bottom of the yoke using a 3/8x1 1/2" hex bolt and nut. Place bolt head under and nut on top of assembly.

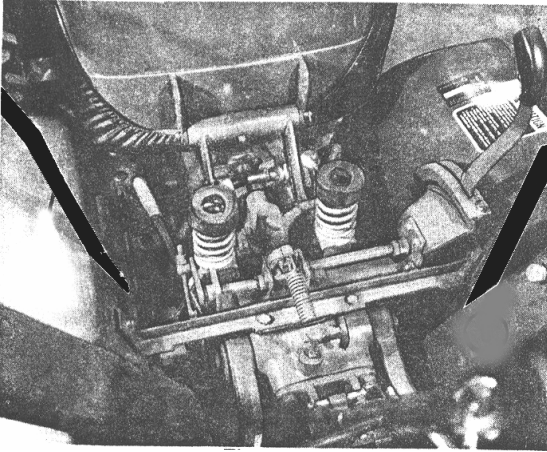
Model 650: Hold top of Side Arm level and mark rear hole on fender. Drill 13/32" diameter holes and attach Side Arm to fender using 3/8x1 1/2" hex bolt and nut.

Model 750: Attach Side Arm to existing holes in fender using 3/8x1 1/2" hex bolt and nut.

See Figure 1 & 3

Step 5

6. **Tractors with power steering :** Attach # 711123401 Steering Guard to the bottom rear bolt of the four bolts with approximately a 1 1/2" hole pattern. They are located on the frame just under the power steering cylinder. Use existing bolt or M12-1.75x 30MM bolt provided.



7. Straighten the Motor Cover on the tractor. Tie straps to grommets on side of the Motor cover. Attach springs to grommets on the other side of the Motor Cover. Attach straps to springs using buckles. Adjust straps so tension is maintained on springs. See Figure 5

8. Find hinge holes in Door Post and punch holes through Motor Cover at hole locations. Place Door Assembly level with the bottom of the Yoke and mark Door Post hole locations. Cut slits in Door Assembly around wire frame and insert F1 clips. Attach F1 clips to Door Post using 3/16x3/4" hex bolts and nuts. Tie straps sewn on Motor cover to Door Assembly grommets. See Figure 4 & Window Assembly Instructions

Figure 3

9. **Model 650:** Place # 710902601 Latch up under bottom of Door Assembly. Holding Door Assembly straight and level use Latch as template to mark hole locations on fender. Drill 13/32" diameter holes in fender. Attach Latch to fender using 3/8x1 1/2" hex bolts and nuts.

Model 750: Place # 710902601 Latch up under Door Assembly and attach to existing holes in fender using 3/8x1 1/2" hex bolts and nuts.

See Figure 1 & 3

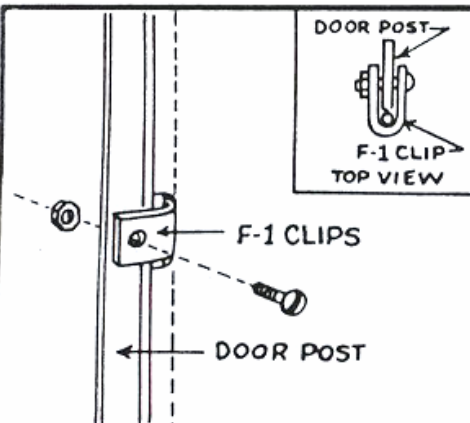


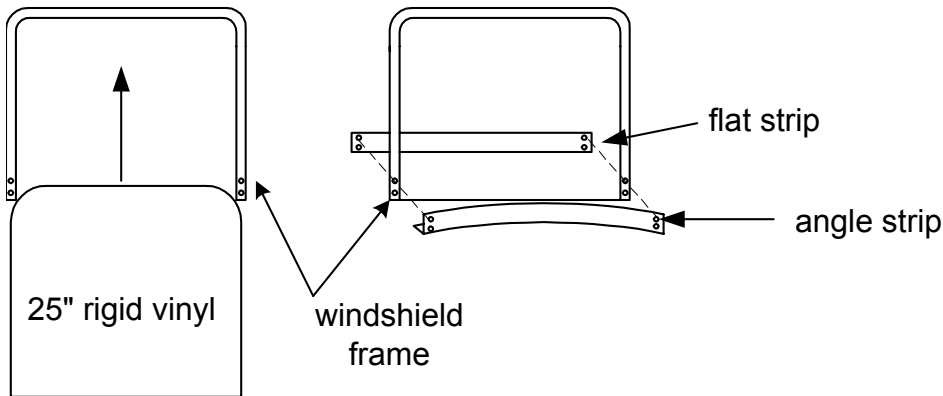
Figure 4



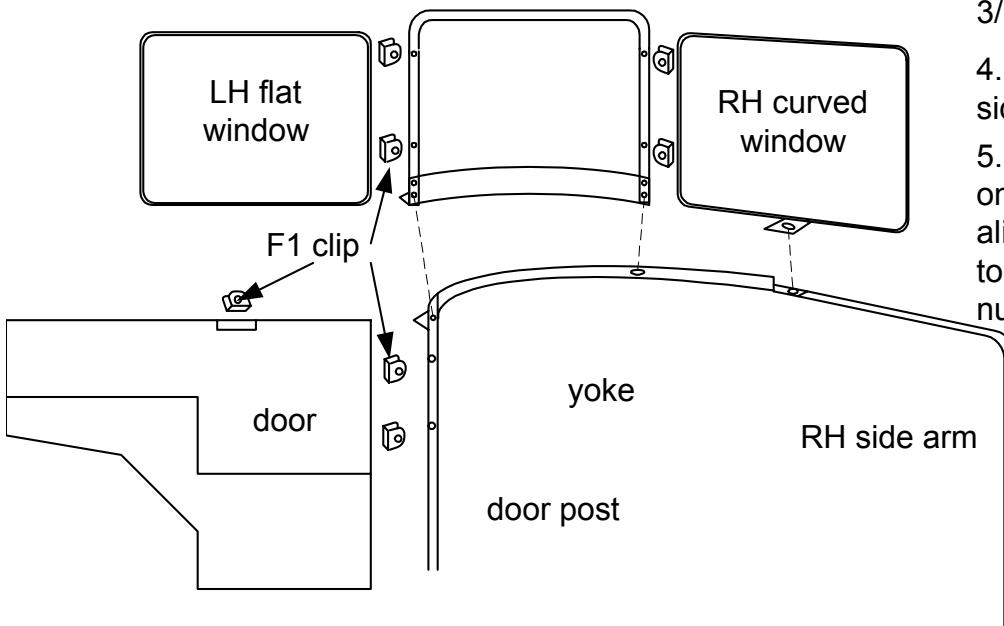
Figure 5

WINDSHIELD/SIDE WINDOW ASSEMBLY INSTRUCTIONS

The pictures shown are generic drawings. The part shapes shown may vary from the parts supplied with this WB. The descriptions should be correct. Follow the instructions by step.



1. Slide the rigid vinyl into the windshield frame
2. Fasten the flat strip and angle strip to the windshield frame using 2 - 3/16 x 3/4 bolts in the top holes. Tighten nuts.



3. Cut slots in RH curved window to match holes in frame. Insert F1 clips in slots, around wire, and bolt to frame using 2- 3/16 x 3/4" bolts and nuts
4. Repeat step 3 for LH side window.
5. Place windshield assembly on yoke so lower RH hole aligns with slot in yoke. Bolt to yoke using 1/4 x 1 bolt and nut.

6. Remove nut, place lower LH hole over existing bolt at door post/yoke and replace nut.

7. Remove the nut and place the bottom of the RH side window over the existing bolt at the yoke/ side arm. Replace the nut.

8. Place an F1 clip through the cut out in the top of the door. Punch a small hole through the vinyl in the LH side window and bolt using a 3/16 x 3/4 bolt and nut



General Offices
1132 W. 1ST STREET
Mcpherson, KS 67460
Phone: 620-241-3513
Toll Free 1-800-677-0898
Fax: 620-241-3532
www.femcomfg.com