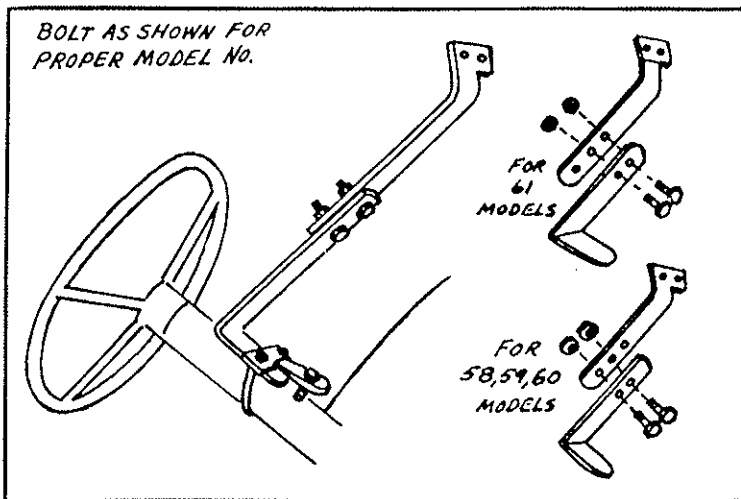


# INSTALLATION INSTRUCTIONS FOR #1122 HINSON-FEMCO WEATHER BRAKE FITS ALLIS CHALMERS D-17 (GAS, 1958 - 1962)

Listed below are the special parts required for the proper installation of the 1122 Hinson-Femco Weather Brake. Carefully study the photo diagrams showing the exact location of each part. Follow the various steps numerically.

- |  |  |
|--|--|
| 1 - #712101001 Yoke (A-10)                   | 1 - #722543301 Mounting Bracket-Top Half (P-33)    |
| 1 - #712541201 Pedal Guard (P-12)            | 1 - #712543401 Mounting Bracket-Bottom Half (P-34) |
| 1 - #712541601 Mounting Bracket Strap (P-16) | 1 - #722384401 Door Latch Top (K-44)               |
| 1 - #712541701 Right Yoke Support (P-17)     | 2 - #712384501 Door Latch Bottom (K-45)            |
| 1 - #712541801 Right Side Arm (P-18)         | 1 - #712380783 Spacer (K-7)                        |
| 1 - #712541901 Door Post (P-19)              | 1 - #720754704 Door (P-27)                         |



1. Bolt the P-12 pedal guard to the right step. See Figure 1.
2. Install the mounting bracket on steering column as shown in Figure 2. Be sure to place the P-16 strap on top of mounting brackets as illustrated and bolt bracket together as shown.

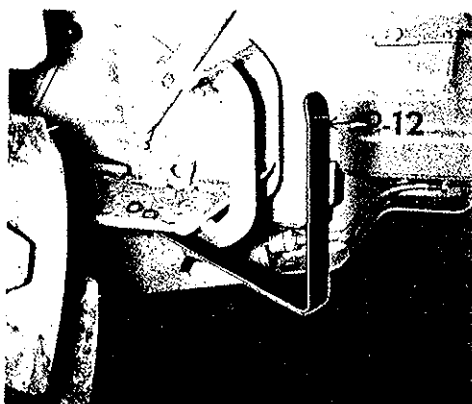


Figure 1

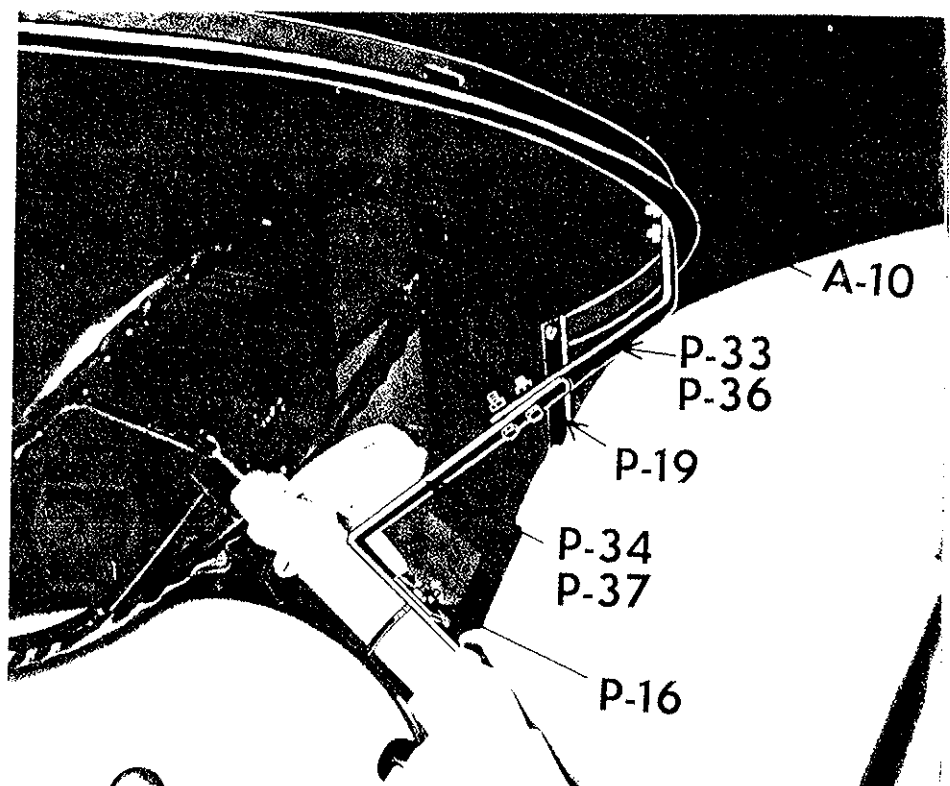


Figure 2

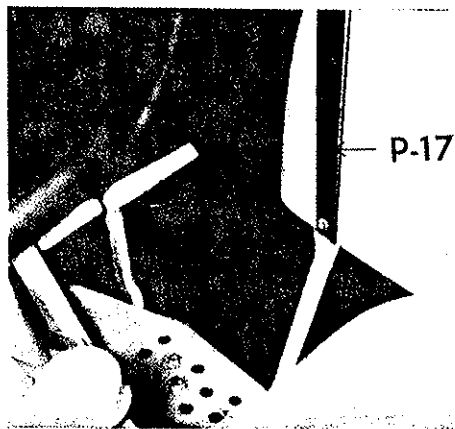


Figure 3

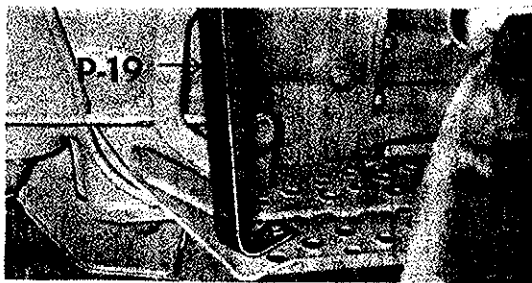


Figure 4

3. Remove the bolt from front of right fender and replace with  $\frac{3}{8}$ " x  $1 \frac{1}{2}$ " bolt furnished with Weather Brake. Attach the P-17 yoke support or right upright to fender as shown in Figures 3 and 5. Be sure the angle at top of P-17 points toward the rear of tractor. Leave bolt loose.
4. Bolt the lower end of P-19 door post to left step as shown in Figure 4. Use the front hole in the third row from outside to properly locate the position for the P-19 upright.
5. Place canvas cover over tractor, and insert the P-18 right side arm in the wide hem at the rear of canvas on the right side.
6. Remove the bolt from right fender at rear of the tool box and replace with  $\frac{3}{8}$ " x  $1 \frac{1}{2}$ " bolt furnished, attaching the P-18 side arm. Leave bolt loose.
7. Slide the wide hem on left side of cover over the P-19 left upright or door support.
8. Insert the A-10 Yoke in hem at top of canvas and bolt to the P-33 steering column mounting bracket. Also bolt ends of A-10 yoke to the P-18 right side arm, P-17 right upright and P-19 left upright or door support. Frame work is then joined as shown in Figure 5. Tighten all loose hardware.

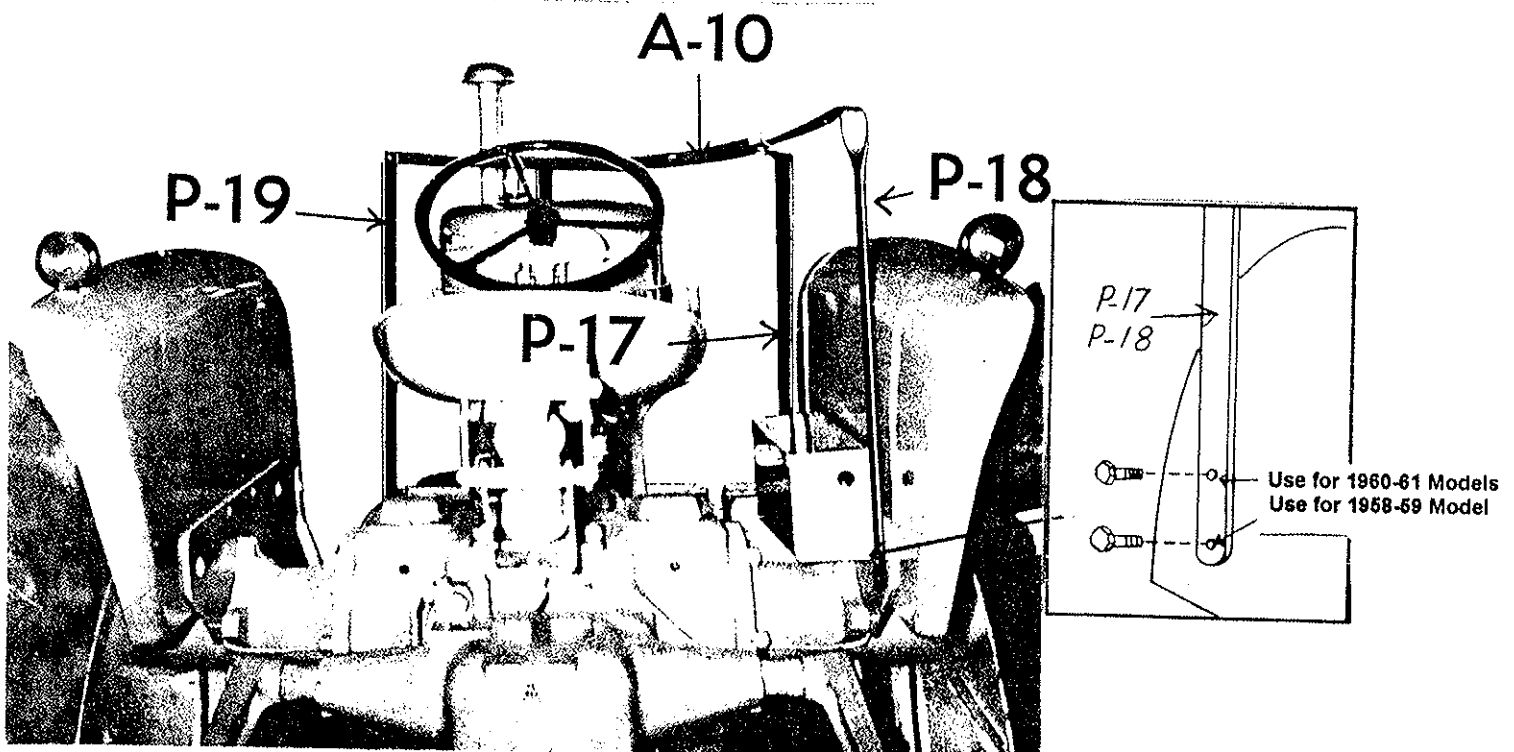


Figure 5

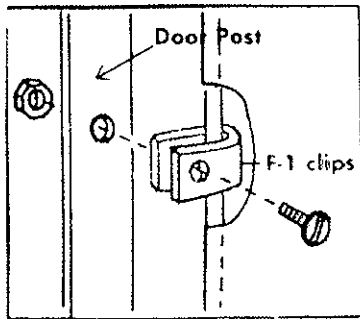
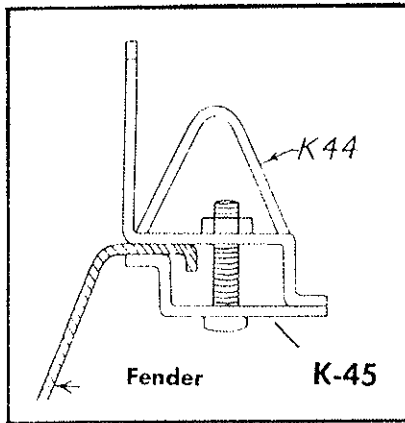
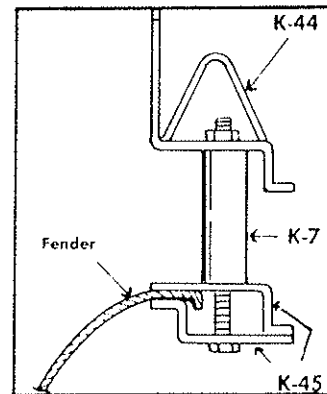


Figure 6



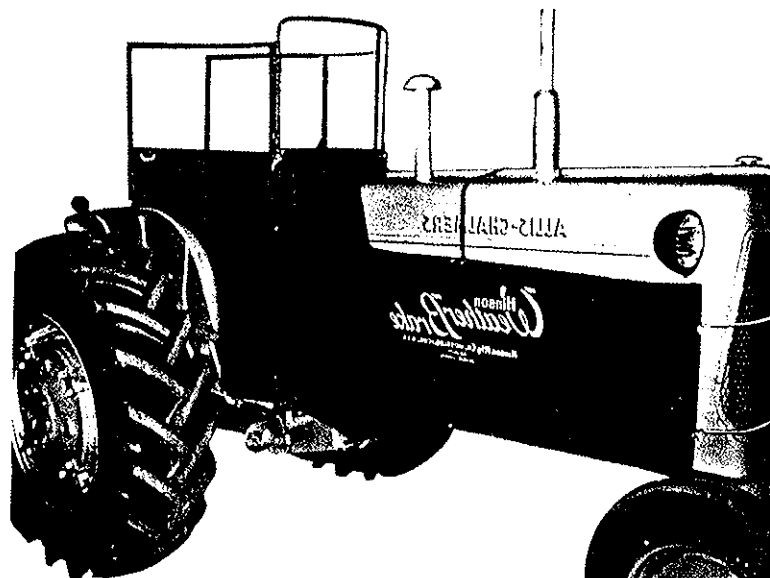
Latch attaches to fender this way for 1960-61 models.



Latch attaches to fender this way for 1958-59 models.

9. Straighten out canvas and tie straps located on side panels and on bottom of cover, then fasten around tractor using springs.
10. Using F-1 clips fasten the P-27 door to the P-19 left upright or door support as shown in Figure 6. Cut Fabric away from door rod to insert clip.
11. Mount the K-44 and K-45 latch on left fender as shown in Figure 7.
12. Assemble and install the windshield and side windows as shown on back side of page.

Figure 7



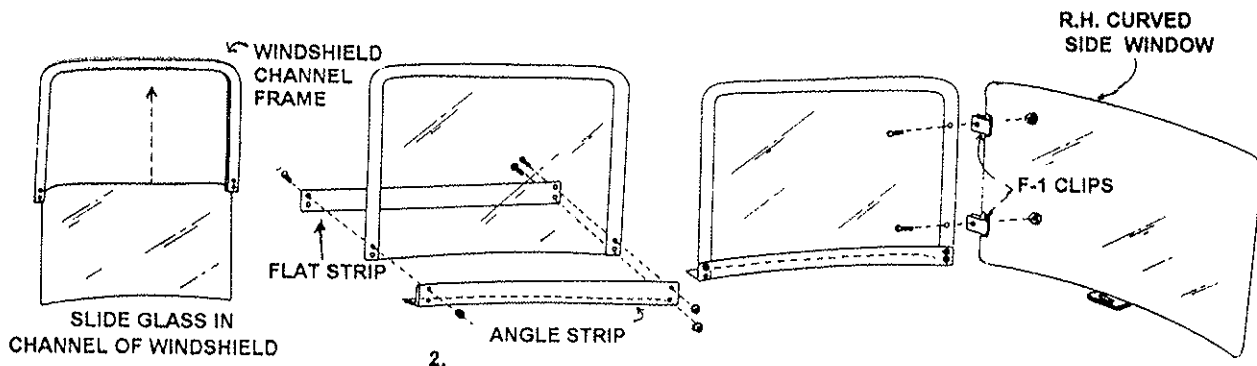
**FEMCO, Inc.**

**GENERAL OFFICES**  
 500 North 81 By-Pass  
 P.O. Box 1186  
 McPherson, Kansas 67460  
 Phone: 1-316-241-3513  
 FAX: 1-316-241-3532  
 Toll Free: 1-800-677-0898

*Subsidiaries*  
 HINSON-FEMCO  
 JANTZ-FEMCO  
 FEMCO PLASTICS  
 AMERICAN PRIDE  
 GOLF PRODUCTS

# WINDSHIELD ASSEMBLY INSTRUCTIONS

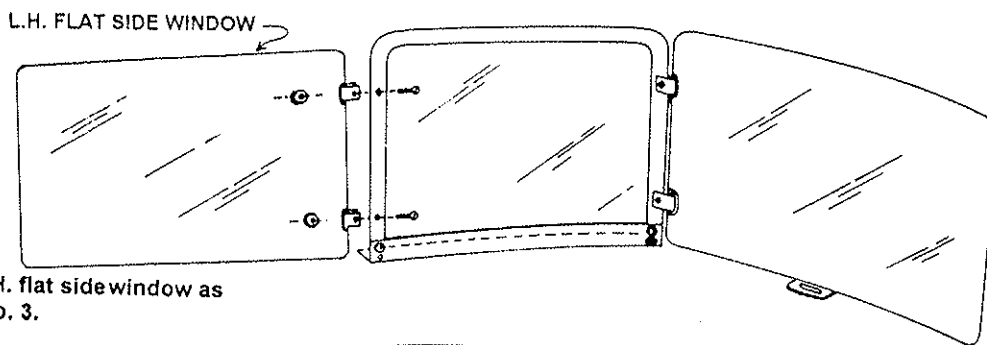
1252  
1258  
1263



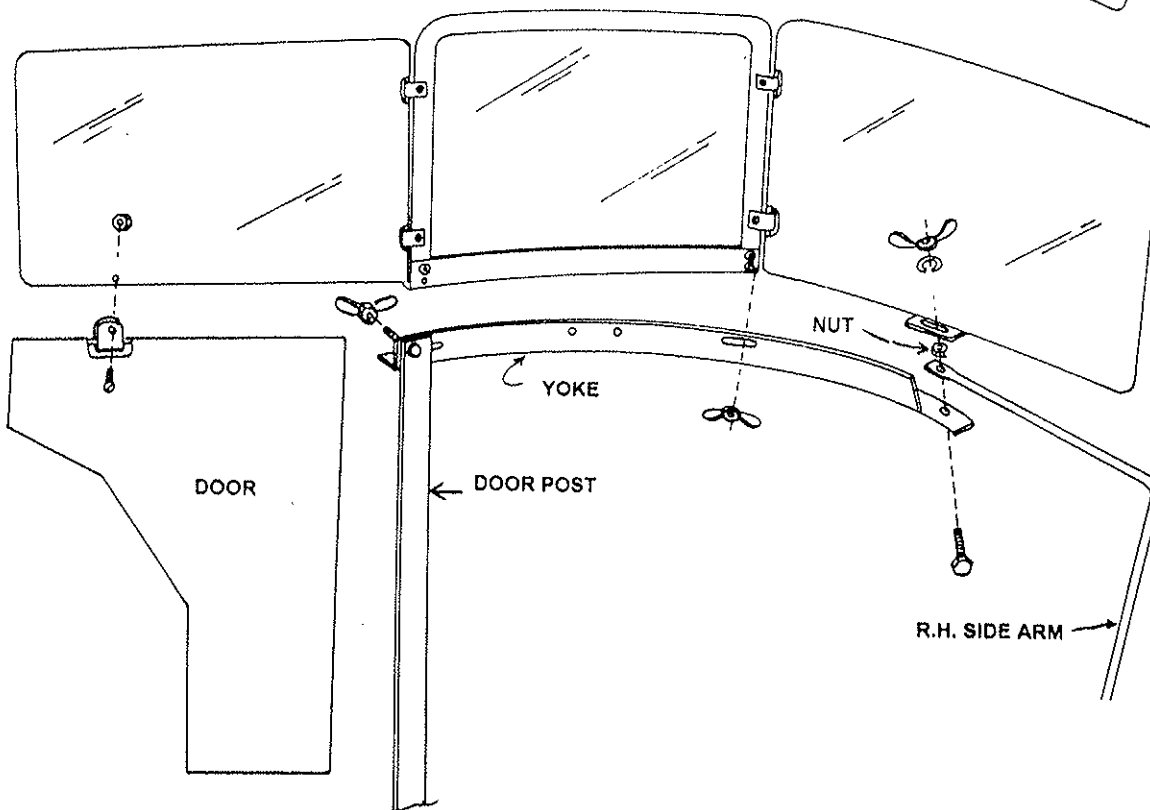
1. Slide glass in channel of windshield frame.

2. Assemble flat strip and angle strip to windshield channel using two  $3/16"$  x  $1/2"$  bolts in top holes and  $1/4"$  x  $1"$  bolts in lower holes. Tighten nuts.

3. Cuts slots in vinyl as shown in picture, insert F-1 clips in slots of R.H. curved side window. Secure this assembly to windshield channel frame with  $3/16"$  x  $3/4"$  bolts.



4. Install L.H. flat side window as in step No. 3.



5. Place windshield assembly on yoke so bolt in lower right hand corner of windshield fits into slot in yoke. Place hole in lower left corner over bolt in top of door post. Secure with wing nuts.

6. Secure right side window to rear edge of yoke as shown using flat lock washer and nut.

7. Insert F-1 clip in cut out in top of door, punch hole through canvas in L.H. flat side window as shown. Secure with  $3/16"$  X  $3/4"$  bolt.