

INSTALLATION INSTRUCTIONS

FOR

#1341 HINSON-FEMCO WEATHER BRAKE

**FITS CASE 731, 731C, 831, 831C (DIESEL), 741, 741C,
841, 841C (GAS), (730, 830 SERIAL NO. 8253501 & UP)
GENERAL PURPOSE OR ROW CROP**

Listed below are the special parts required for the proper installation of the 1341 Hinson-Femco Weather Brake. Carefully study the photo diagrams showing the location of each part. Follow the various steps numerically. Each part has Part Number stamped on it.

- | | | |
|--|----------------------------------|-------------------------------------|
| 1 - #712101001 Yoke (A-10) | 1 - #712126101 Side Arm (C-61) | 1 - #720677804 Door (C-63) |
| 1 - #712125901 Mounting Bracket (C-59) | 1 - #712126201 Door Latch (C-62) | 1 - #712126401 Exhaust Guard (C-64) |
| 1 - #712126001 Door Post (C-60) | | 1 - #712212101 Pedal Guard (H-21) |

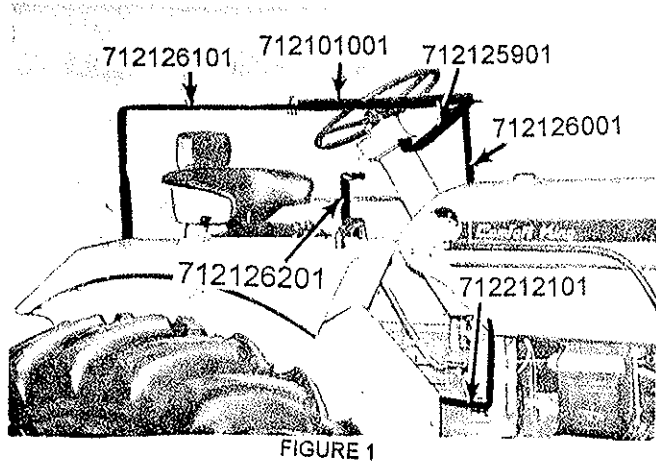


FIGURE 1

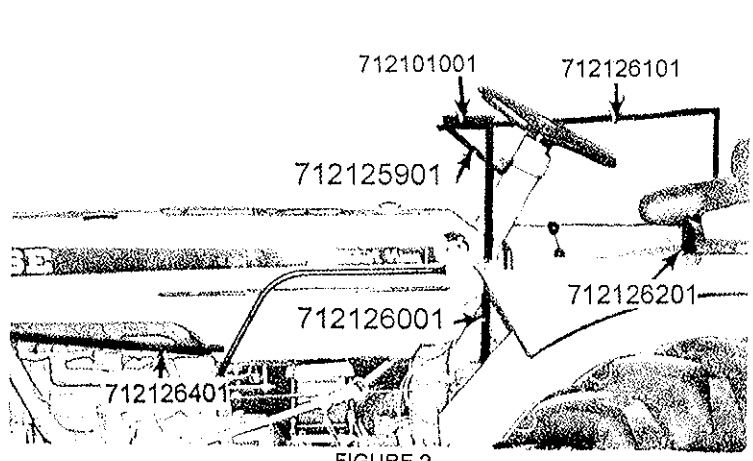


FIGURE 2

1. Bolt #712212101 pedal guard to platform on right side using 5/16" x 1" bolts. See Figure 1.
2. Bolt #712126401 exhaust guard to left side of tractor using bolts in tractor hood. See Figure 2.
3. Bolt #712125901 mounting bracket to steering post using U-bolt. See Figures 1 & 2.
4. Thread #712126101 side arm into wide hem on right hand side of vinyl. Also insert #712101001 yoke in front top hem. Bolt yoke and side arm together using 3/8" x 1 1/2" bolt. See Figure 1.



FIGURE 3

5. Place cover over tractor and bolt yoke to mounting bracket using 1/4" x 3/4" flat head bolts and nuts. Bolt lower end of side arm to tractor fender. For Row Crop models use 5/16" x 1" bolt. See Figure 3.
6. Slide #712126001 door post into hem on left side and bolt to yoke using 1/4" x 1" bolt and nut. Bolt bottom of door post to platform using 5/16" x 1" bolt and nut. Drill extra hole in platform being sure clutch pedal clears door post. See Figure 2.
7. Straighten cover and tie to adjust all straps and springs for a proper fit. Attach #720677804 door to door post with F-1 clips and 3/16" x 3/4" stove bolts. See Figure 4.
8. Bolt #712126201 door latch to left fender. For Row Crop models remove third bolt from back of platform. Drill extra hole in fender using door latch as template. See Figures 1 & 2.

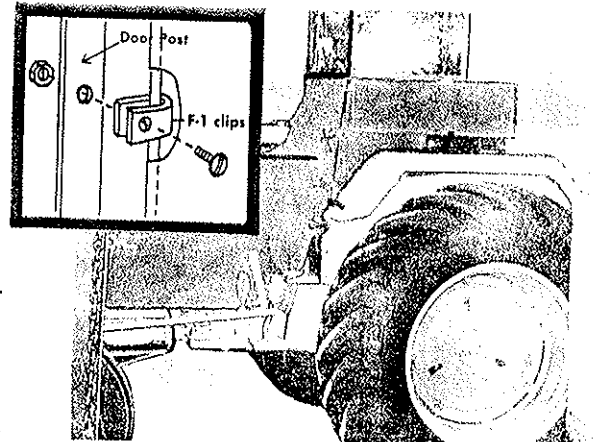
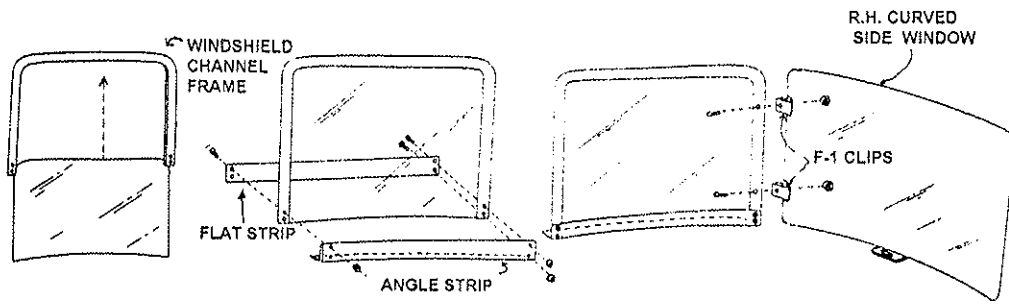


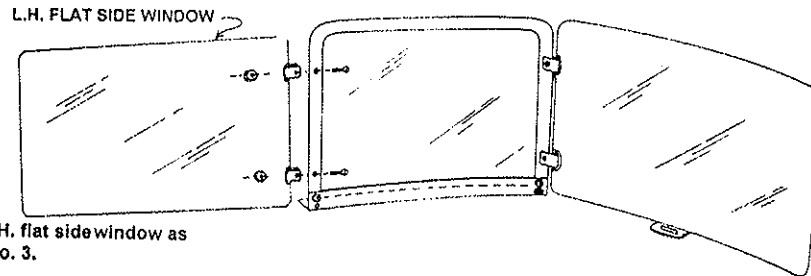
FIGURE 4

WINDSHIELD ASSEMBLY INSTRUCTIONS

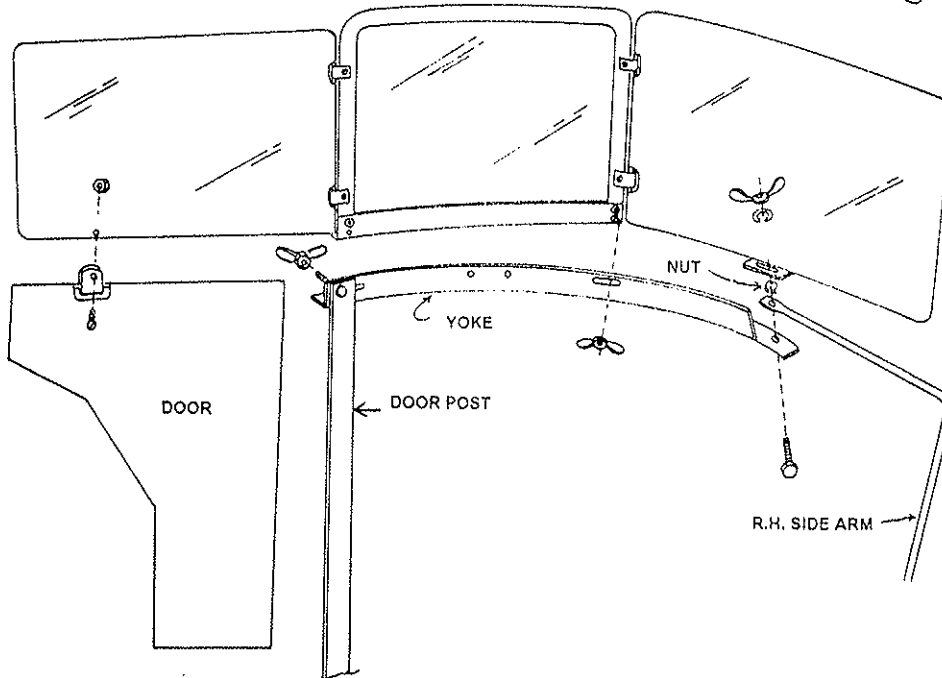
1252
1258
1263



1. Slide glass in channel of windshield frame.
2. Assemble flat strip and angle strip to windshield channel using two $3/16"$ x $1/2"$ bolts in top holes and $1/4"$ x $1"$ bolts in lower holes. Tighten nuts.
3. Cuts slots in vinyl as shown in picture, insert F-1 clips in slots of R.H. curved side window. Secure this assembly to windshield channel frame with $3/16"$ x $3/4"$ bolts.



4. Install L.H. flat side window as in step No. 3.



6. Place windshield assembly on yoke so bolt in lower right hand corner of windshield fits into slot in yoke. Place hole in lower left corner over bolt in top of door post. Secure with wing nuts.
8. Secure right side window to rear edge of yoke as shown using flat lock washer and nut.
7. Insert F-1 clip in cut out in top of door, punch hole through canvas in L.H. flat side window as shown. Secure with $3/16"$ X $3/4"$ bolt.

FEMCO, Inc.

GENERAL OFFICES
500 North 81 By-Pass
P.O. Box 1186
McPherson, Kansas 67460
Phone: 1-316-241-3513
FAX: 1-316-241-3532
Toll Free: 1-800-677-0898

Subsidiaries
HINSON-FEMCO
JANTZ-FEMCO
FEMCO PLASTICS
AMERICAN PRIDE
GOLF PRODUCTS