

INSTRUCTIONS



WEATHERBRAKE

2178

FITS

New Holland TL80A, TL90A TL 100A



General Offices
1132 W. 1ST STREET
McPherson, KS 67460
Phone: (620) 241-3513
Web: www.femcomfg.com

Form No. 286326400 / 08-2006

IMPORTANT

READ AND UNDERSTAND ALL INSTRUCTIONS BEFORE MOUNTING WEATHER BRAKE. DO NOT TIGHTEN HARDWARE UNTIL INSTRUCTED TO DO SO



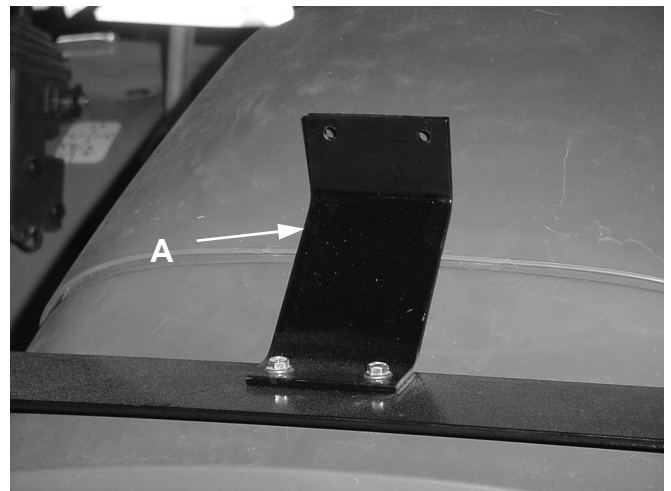
DASH BRACKET

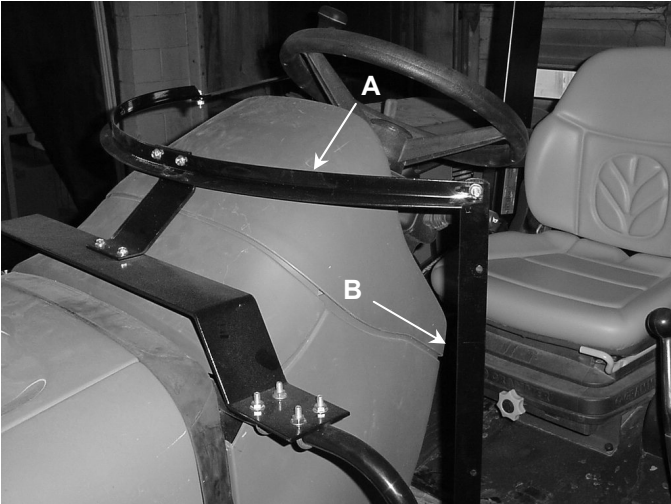
NOTE: Top (2) two holes 1" from edge are to face rear of tractor

1. Attach dash bracket (A) to top of grab handles using four (4) "U" bolts.
2. Center dash bracket to dash and level
3. Tighten Bolts.

YOKE BRACKET

1. Attach yoke bracket (A) to dash bracket with long flange up using two (2) 1/4" x 3/4" bolts and nuts
2. Tighten Bolts





YOKE & DOOR POST

1. Attach yoke (A) to yoke bracket using (2) two 1/4" x 3/4" bolts and nuts. Tighten Bolts.
2. Attach door post (B) to yoke using one (1) 1/4" x 1" bolt and nut.

DOOR POST ATTACHMENT

1. Make sure door post is straight up and down.
2. Mark location on hole in bottom of door post and drill a 9/32" diameter hole in deck of tractor.
3. Attach bottom of door post to deck using (1) 1/4" x 1" bolt and nut.
4. Remove yoke from yoke bracket and top of door post.



DOOR POST

NOTE: THERE IS TO BE A 1/2" NUT USED AS A SPACER INSERTED BETWEEN DECK AND FOOT STEP.

1. Attach door post (A) to deck using one (1) 1/2" x 2" bolt and nut.

MOTOR COVER

1. Slide 3" hem of motor cover down over door post and arrange cover to tractor.
2. Slide yoke into top 3" hem of motor cover
3. Attach yoke to yoke bracket using two (2) 1/4" x 3/4" bolts and nuts. Note: Heads to outside nuts inside.
4. Attach yoke to top of door post using one (1) 1/4"x 1" bolt and nut. Note: Head inside nut outside.
5. Tighten all bolts.



DUAL LOCK® is a registered trademark of 3M Co.

1. Cut the plastic Dual Lock into 2" lengths.
2. The surface must be cleaned with a mild detergent to assure proper application of Dual Lock strips.

NOTE: DO NOT PEEL BACKING FROM THE DUAL LOCK

3. Apply cut Dual Lock to all Dual Lock sewn to the motor cover.
4. Arrange the motor cover to the tractor. Peel the backing from the Dual Lock and apply to the tractor. Repeat this procedure for all Dual Lock

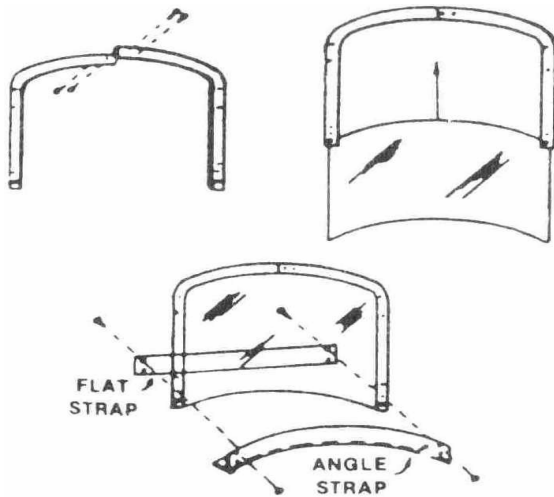
TIE STRAPS

IMPORTANT

CLOTH STRAPS ARE NOT TO BE ATTACHED TO ANY MOVING, ROTATING, OR HEAT GENERATING POINTS OF TRACTOR. ANY EXCESS CLOTH STRAP IS TO BE CUT OFF.

1. Thread cloth strap through grommets at bottom of motor cover and tie.
2. Route cloth straps to other side or to a point on tractor and tie.





WINDSHIELD ASSEMBLY

1. Attach left and right window frames using two (2) #10 x 1/2" bolts and nuts.
2. Slide glass in channel of windshield frame.
3. Attach flat strip and angle strip to windshield frame using two (2) #10 x 1/2" bolts and nuts in second holes only.
4. **TIGHTEN BOLTS.**

WINDSHIELD ATTACHMENT

1. Remove nut from yoke and door post and attach assembled windshield.
2. Attach other side of windshield to yoke using one (1) 1/4" x 1" bolt and nut.
3. Tighten all bolts.

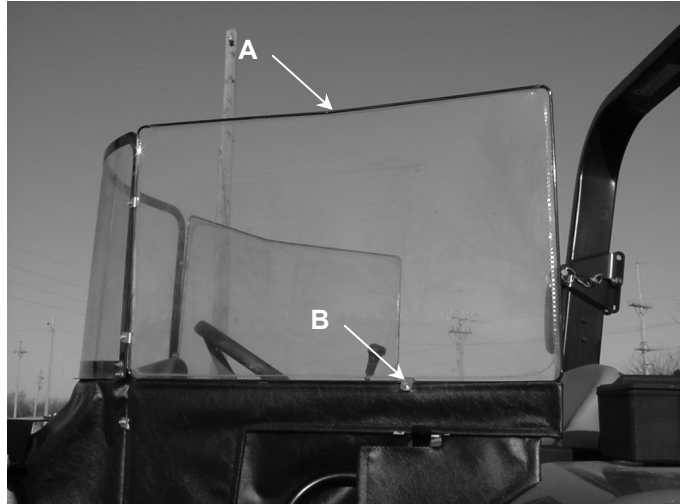


DOOR

1. Locate holes in door post and cut holes in fabric.
2. Hold door (A) to door post and bottom of windshield.
3. Mark location of holes in door post to door
4. Cut 5/8" slots next to wire frame of door and attach to door post using two (4) #10 x 3/4" bolts, clips, and nuts.
5. Tie door flap (B) to motor cover.
6. **TIGHTEN ALL BOLTS.**

LEFT WINDOW

1. Mark location of holes in windshield to left window (A).
2. Cut 5/8" slots next to wire frame of left window and attach to windshield using two (2) #10 x 3/4 bolts and nuts.
3. About 6" from back of left window at location (B) cut 5/8" slots in left window and door and attach using one (1) #10 x 3/4" bolt, nut & clip.
4. Tighten bolts.



RIGHT WINDOW

1. Right window (A) is to be bent to match configuration of yoke and side arm.
2. Using same procedure as left window, attach right window to windshield.
3. Mark location of hole in side arm to bottom of right window and using same procedure as left window, attach to side arm.
4. Tighten bolts.

DOOR LATCH

1. Attach door latch (A) to grab handle using one (1) "U" bolt and nuts.

NOTE: Use bottom hole and slot.

2. Tighten all bolts.



NOTES