



www.femcomfg.com

## PRODUCT CATALOG



*Enclosures, Weather Brakes, Sunshades & Umbrellas*



*ROPS & Canopies*

**GENERAL OFFICES**  
1132 WEST 1ST STREET  
McPherson, KS 67460  
Toll Free: 1-800-677-0898  
Fax: (620) 241-3532  
Web: www.femcomfg.com  
Email: femco@femcomfg.com

*Specializing in Weather &  
Safety Protection*

## **FEMCO, INC. GENERAL POLICIES**

**PRICING:** Prices are as stated on current price sheets and are subject to change without notice.

**SHIPPING & HANDLING:** When possible, we will ship via UPS to reduce freight costs. However, due to extra labor involved in weighing and stamping, a shipping and handling charge of \$4.00 will be added to all UPS Shipments. For UPS 100wt, an additional charge of \$10.00 will be added (200lb. minimum). Items shipping via a truckline will ship freight collect only.

**TERMS:** Terms are Net 30 days with approved credit. Please pay by invoice – no statement will be sent. A charge of 1.5% per month (annual percentage rate of 18%) will be charged on unpaid balances. Those customers requesting an open account may do so and ship current shipments COD until your account has been approved.

**Government Purchase Orders:** Femco, Inc. must receive payment before product will be sent on all government orders. Payment can be paid by Visa or Master Card.

**FEMCO, INC.:** Warranty on products is 90 days from the date of purchase. This warranty is on workmanship and materials only. This warranty is limited to replacement of “defective” parts only and does not cover any labor charges to remove or reinstall part(s). To prevent shortages, all packages are sealed with pilfer-proof tape and electronically weighed.

**DAMAGE:** We package our products according to carrier and manufacturer standards. Please be alert for shipping or hidden damage and file your freight claims at once. Once the carrier accepts the shipment, the responsibility for damage or loss becomes that of the carrier. If packages arrive in a condition that could conceal damage or loss of parts, write on the Bill of Lading that the shipment has been received subject to inspection of contents. This will help expedite your claim with the carrier.

**RETURNS:** A “Return Goods Authorization” (RGA) number, issued by FEMCO prior to shipping, must be marked on the outside of each package and must arrive at our location within 15 days of RGA issuance or item(s) will not be accepted. The returned item must have been purchased within the last 30 days, be in sellable condition, and contain all parts. You will be responsible for any missing/damaged parts. You must prepay the freight on the returned item and a 20% restocking charge will be applied to returned merchandise.

**SHORTAGE:** To expedite a shortage, please have the following information

1. FEMCO product number
2. Missing part number and description
3. Femco’s invoice number
4. Date code on the end of the shipping carton.

**PLEASE CAUTION YOUR CUSTOMERS TO READ THE INSTALLATION INSTRUCTIONS CAREFULLY BEFORE THEY BEGIN TO ASSEMBLE IN ORDER TO PREVENT DAMAGE TO PARTS USED IN ERROR**



**GENERAL OFFICES**  
1132 W. 1ST STREET  
McPherson, KS 67460  
Phone: 1-800-677-0898  
Fax: (620) 241-3532  
Web: [www.femcomfg.com](http://www.femcomfg.com)

# R.O.P.S.

(Roll-Over Protective Structure)

**For John Deere Gators™ ONLY**



[www.femcomfg.com](http://www.femcomfg.com)

# 301013824

**MADE IN U.S.A.**

- R.O.P.S. meets or exceeds requirements of 29CFR1928.52 (OSHA) and SAE J1194
- Seat Belts are provided for both occupants
- Attractive Styling
- Powder coat finish
- All mounting hardware is plated and included
- Cargo screen is included to eliminate finger pinch point and protect the operator from load transfer
- Easily installed
- Installation and Parts Manual is included
- Fits: Old Style 6 x 4, 4 x 2, TH, TS, TX, M-1, Worksite & TE (TE ONLY if you re-locate the plug)

**TO INSURE OCCUPANT SAFETY, SEAT BELTS MUST BE WORN AT ALL TIMES!!**

**FEMCO, Inc.**

***SAFETY FIRST***

**1132 W. 1ST STREET**

McPherson, KS 67460

800-677-0898

620-241-3532 Fax

e-mail: [femco@femcomfg.com](mailto:femco@femcomfg.com)

Gator™ is a registered trademark of Deere and Company

# SNAP-IN WINDSHIELD

Part Number 3282

## FOR THE JOHN DEERE GATOR 4 X 2 AND 6 X 4

*NEEDS: 3278 CANOPY TO FIT WINDSHIELD ON UNIT*



**GENERAL OFFICES**  
1132 W. 1ST STREET  
McPherson, KS 67460  
Phone: (620) 241-3513  
Fax: (620) 241-3532  
Toll Free: 1-800-677-0898  
Web: [www.femcomfg.com](http://www.femcomfg.com)  
Email: [femco@femcomfg.com](mailto:femco@femcomfg.com)

# FEMCO'S SOFT SIDED ENCLOSURE

to fit (Old Style Only, Not TH,TS or TX)  
6x4 and 4x2 JOHN DEERE GATORS



## OPTIONS

## PART #

- |   |           |
|---|-----------|
| • Electric Wiper Motor  | 306072519 |
| • Pantograph Wiper Arm & Blade<br><i>(for hand or electric wiper)</i> | 306023291 |

## FEATURES

- Hand Wiper
- Removable Doors
- R.O.P.S., Enclosure, and Canopy are Black
- Attractive Styling
- Large Tempered Glass Windshield
- Powder Coated Finish
- Good Visibility
- Easy to Install

### **CANOPY - Part No. 312023278**

- ABS Plastic Construction
- Requires 301013824 R.O.P.S. for mounting
- Reflectors on each roof corner for safety

### **SNAP-ON WINDSHIELD - Part No. 306023282**

- Offered in clear plastic only
- Snaps on without tools

**FEMCO, Inc.**



### **GENERAL OFFICES**

1132 W. 1ST STREET  
McPherson, KS 67460  
Phone: 800-677-0898  
Fax: (620) 241-3532  
Web: [www.femcomfg.com](http://www.femcomfg.com)  
Email: [femco@femcomfg.com](mailto:femco@femcomfg.com)

# **FEMCO'S NEWEST "T-SERIES" GATOR WINDSHIELD**

**# 306023727**

***(Fit's TH, TS, TX Gators Only. Requires 301013824 ROPS & 312013679 Canopy)***



For pricing and availability please call 1-800-677-0898  
[www.femcomfg.com](http://www.femcomfg.com)

FEMCO, INC  
1132 W. 1ST STREET  
McPherson, KS 67460

# ESPECIALLY FOR THE JOHN DEERE 2210

## 2146 WEATHER BRAKE

- Custom fit
- Easy Installation, no special tools required
- Heavy Gauge Steel Frame with Power Coated Finish
- All Mounting Hardware Included



## 2523 CANOPY (also fits JD 2305)

- ABS Plastic
- John Deere Green in color
- 52" wide x 57" long
- Easy to install

## 3466 FOLDING ROPS (also fits JD 2305)

- Meets or Exceeds Standards Set By O.S.H.A and S.A.E
- Easy Installation
- Power Coated Finish
- Mounting Hardware Included



**FEMCO, Inc.**

**GENERAL OFFICES**  
1132 W. 1ST STREET  
McPherson, KS 67460  
Phone: 1-800-677-0898  
Fax: (620) 241-3532  
Web: [www.femcomfg.com](http://www.femcomfg.com)

# **FEMCO, Inc.**

**YOUR SOURCE FOR WINTER WEATHER  
PROTECTION PRODUCTS  
IS PROUD TO OFFER**

## **THE 2142 WEATHER BRAKE**



*ESPECIALLY DESIGNED FOR THE NEW HOLLAND BOOMER TC25/25D,  
TC29/29D, TC33/33D, TC35/35D, TC40/40D, & TC45/45D SERIES OF TRACTORS  
(WITH OR WITHOUT LOADER) NOT DA, DX OKAY*

**CALL 1-800-677-0898**

**ORDER TODAY**

Femco, Inc. is now online at

**[www.femcomfg.com](http://www.femcomfg.com)**

**GENERAL OFFICES**

1132 W. 1ST STREET

McPherson, KS 67460

Phone: 1-800-677-0898

Fax: (620) 241-3532

Web: [www.femcomfg.com](http://www.femcomfg.com)

Email: [femco@femcomfg.com](mailto:femco@femcomfg.com)



## CUSTOM FIT WEATHERBRAKE FIT LIST

**+ = REAR ENTRY**

**\* = WHILE SUPPLIES LAST**

VINYL PN	ALLIS CHALMERS WITH/WITHOUT 2 POST ROPS	FRONT WINDSHIELD ONLY	WINDSHIELD GLASS AND FRAME ONLY	SIDE WINDOWS 30502 LS RS
307020900+	WD & WD45 (REAR ENTRY)(GREEN)	305021225	305021209	1213 1213
307021122*	D-17 (1958-59-60-61 & 62 GAS)(GREEN)	305021225	305021209	1212 1213
307021411	180 & 185 (GAS & DIESEL)(GREEN)	305021225	305021209	1212 1213
307021412*	170 & 175 (GAS & DIESEL)(GREEN)	305021225	305021209	1212 1213
307021422*	190, 190XT, & 200 (GAS, DIESEL & LPG)(GREEN)	305021225	305021209	1212 1213
<b>CASE WITH/WITHOUT 2 POST ROPS</b>				
307021338*	930, 931(DIESEL), 940, 941 (GAS & LPG) (SERIAL #8253501 AND UP), 1030, 1031 DIESEL(GREEN)	305021225	305021209	1212 1213
307021432*	770, 870, 970, 1070, 1170, 1175 ROW CROP (GAS & DIESEL)(GREEN)	305021225	305021209	1246 1289
307021485 *	1490, 1690 LOW PLATFORM, UPRIGHT EXHAUST(RED)	305021226	305021210	1246 1289
307052286	C SERIES (BLACK VINYL)	305021226	305021210	1246 1289
307052287	CX SERIES (BLACK VINYL)	305021226	305021210	1246 1289
<b>CASE IH WITH/WITHOUT 2 POST ROPS</b>				
307022104	5120,5130,5140 (MAXXUM) (WITH/WITHOUT LOADER)(RED)	305021226	305021210	1246 1246
<b>CASE/DAVID BROWN WITH/WITHOUT 2 POST ROPS</b>				
307021451*	880,885,990,995,4600(1965 TO DATE)(GREEN)	305021226	305021210	1212 1213
<b>CENTURY/BRANSON WITH/WITHOUT 2 POST ROPS</b>				
307022150*	CENTURY MODELS 2028, 2535, 3035, 3040, 3045 CENTURY WILL NOT WORK WITH LOADERS. BRANSON: 2910i, 3820i, 4220i, 4720i, BL20A LOADER, 3510i, BL10A(BLACK)	305021226	305021210	1248 1248
<b>JOHN DEERE WITH/WITHOUT 2 POST ROPS UNLESS INDICATED</b>				
307020982+	50,60,70,520,620,720(DISTILLATE & GAS) REAR ENTRY(GREEN)	305021225	305021209	1213 1213
307021317+	2510,2520,3010,3020,4000,4010,4020,4320, <b>(2510,2520 REQUIRES KIT#1278 TO INSTALL REAR ENTRY)</b> (NOT 4010 2003 MODEL YEAR)(GREEN)(NOT CUT)	305021225	305021209	1213 1213
307021425	4520,4620 (GAS, DIESEL, LPG)(GREEN)	305021225	305021209	1212 1213
307021436	2510,2520,3010,3020,4000,4010,4020,4320 <b>(2510,2520 REQUIRES KIT #1278 TO INSTALL)</b> (NOT 4010 COMPACT 2003 MODEL YEAR)(GREEN)	305021225	305021209	1212 1213
307021443	4030,4040,4050,4055,4230,4240,4250,4255,4430, 4440,4450,4455,4555,4630,4640,4650,4755 FOR TRACTORS WITHOUT 4-POST ROPS AND RIGID STEERING COLUMNS ONLY(GREEN)(NOT CUT)	305021225	305021209	1212 1213
307021470	820, 830, 920, 1020, 1140, 1840, 2050, 1120, 1520, 1530, 2020, 2030, 2120, 2630(RU,HU,LU) 1030, 1630, 1830 & 1976 MODELS: 2040, 2240, 2440 & 2640 NEW GENERATION MODELS: 1140, 1840, 2050, 2150, 2155, 2350, 2355, 2550, 2555, 2750, 2755 LOW PLATFORM MODELS; CANADIAN 1130 WILL NOT FIT 140 LOADER WILL NOT WORK WITH LOADERS WITH JOYSTICK CONTROL LEVERS BUT IS OK WITH 2 SPOOL VALVE CONTROLS LOCATED AT OR BELOW TOP OF HOOD (GREEN)	305021225	305021209	720583404 1213
307021471*	1050(GREEN)	305021225	305021209	1246 1289
307021475	2840,2940,2950(2955 W/RIGID STEERING ONLY) CANADIAN 3130,3140(GREEN)	305021225	305021209	1246 1289
307021476*	2750 2755 HIGH PLATFORM(GREEN)	305021225	305021209	1212 1213
307021477*	850, 950 UP OR DOWN EXHAUST & POWER STEERING (GREEN)	305021225	305021209	1246 1289
307021482*	750, 650 UP EXHAUST (GREEN)	305021225	305021209	1246 1289
307022008	655, 755, 855 (GREEN)	305021226	305021210	R720599700
307022022	2955,3150,4030,4040,4050,4055,4230,4240,4250,4255, 4430,4440,4450,4455,4555,4630,4640,4650,4755 <b>WITH 4 POST ROPS AND JD CANOPY RE 19445 (GREEN)</b>	305023600 (2)	N/A	N/A
307022097	870 970 1070 (with/without loader (GREEN)	305021225	305021209	1246 1289
307022125	5200,5300,5400,5500(2WD OR 4WD W/WO JD 500 SERIES LOADER)5210,5310,5410 (CUT)(NOT NARROW SERIES) (NOT 5510 OR 20 SERIES)(BLACK)	305021226	305021210	1246 1289
307022131	6000 SERIES, 6200, 6300 & 6400 HIGH & LOW PLATFORM (NOT 10 OR 20 SERIES) (BLACK)	305021226	305021210	1248 1248

307022131	6000 SERIES, 6200, 6300 & 6400 HIGH & LOW PLATFORM (NOT 10 OR 20 SERIES) (BLACK)	305021226	305021210	1248 1248
307022141	4200, 4300, 4400, 4500, 4600, 4700,4210, 4310, 4410, 4510, 4610, 4710 (CUT OK FOR ALL LISTED HERE) W/WO LOADER (BLACK)	305021226	305021210	1248 1248
307022143	JD ADVANTAGE SERIES 6405, 6605, 7405 (BLK)	305021226	305021210	1248 1248
307022146	2210 BLACK VINYL ONLY (NOT THE 2305)	305021226	305021210	1248 1248
307022147*	JD 4100 (BLK VINYL ONLY) NOT 4110	305021226	305021210	1248 1248
307022161	5320, 5220(NOT NARROW SERIES), BLK VINYL, UP/DOWN EXHAUST(NOT HIGH PLATFORM, WORKS ON STRADDLE MOUNT/LOW PLATFORM) YEAR 2005 OR OLDER ONLY	305021226	315021210	1248 1248
307022176	JD 3120,3320,3520,3720(W/WO 300X LOADER)(CUT)(BLK)	305021226	305021210	1248 1248
307022529	JD 5103, 5203, 5303 & 5403(NOT 5603) WORKS WITH JD MODEL 522 LOADER ONLY (BLACK)	305021226	305021210	1248 1248
307022552	JD 5105, 5205 (BLACK) W/ OR W/O LOADER 2/4WD(CUT)	305021226	305021210	1248 1248
<b>FORD/NEW HOLLAND WITH/WITHOUT 2 POST ROPS</b>				
307020914	8N (NOT ON JUBILEE)(BLUE)	305021225	305021209	1212 1213
307021457	2000, 2100, 2600, 3000, 3100, 3600, 4000SU, 4600SU, ALL PURPOSE 1965 & UP(BLUE)	305021225	305021209	1247 1247
307021458	5000, 5100, 5600(LA-1), 6600(EA-1), 7000, 7100, 7600(FA-1) ALL PURPOSE (BLUE) ONLY WORKS WITH FLAT FENDERS WILL NOT WORK WITH SHELL FENDERS	305021225	305021209	L305025125 R720667900
307021459*	4000, 4100, 4600 (DA-1 ALL PURPOSE)(BLUE)	305021225	305021209	L305025125 R720667900
307021467*	6700, 7700, TW10, TW20(FLAT DECK OR ROW CROP) (BLUE)	305021225	305021209	1246 1246
307022101	1720, 1920,(W/WO LOADER)(NOTW/SHUTTLE TRANS. UNLESS SHIFTER IS ON THE DASH AND TO THE LEFT) (BLUE)	305021226	305021210	1246 1246
307022121*	5640, 6640, 7740(S,SL) W/WO LOADER 7411 LOADER (LOW PLATFORM ONLY) (BLUE)	305021226	305021210	1248 1248
307022136	3430, 3930, 4630, 5030(W/WO LOADER, SHELL OR HIGH TOP FENDERS) (BLUE)	305021226	305021210	1248 1248
307022142	TC25/25D, TC29/29D, TC33/33D, TC35/35D, TC40/40D, TC45/45D(W/WO LOADER)NOT DA) DX IS OK (BLACK)	305021226	305021210	1248 1248
307022145	TN65, 70, 75, JX65, (NOT JX75) TN55D, TN55S, TN65D, TN75D, TN75S (BLACK) DOES NOT WORK WITH TN-DA, TN-SA OR TN-FA	305021226	305021210	1248 1248
307022178	TL80A, TL90A, TL100A W/WO LOADER (BLACK)	305021226	305021210	1248 1248
<b>INTERNATIONAL WITH/WITHOUT 2 POST ROPS</b>				
307021012+	M & SUPER M, MD & SUPER MD, SUPER MTA, MDTA & SUPER MDTA, 350, 400, 450(DIESEL & GAS) (RED)	305021225	305021209	1213 1213
307021072+	F460, F560 (GAS & DIESEL & LPG) (RED)	305021225	305021209	1213 1213
307021331	F706, F806, F1206(GAS, DIESEL, LPG) NOT FLAT FENDERS (CROWN FENDERS OK) (RED)	305021225	305021209	1212 1213
307021421	F544, F656, F666, F686, HY-DRO 70, 86 INCLUDES HYDROSTATIC & HI-CLEAR (GAS & DIESEL) (RED)	305021225	305021209	1212 1213
307021429	F756, F826, F856, F1026, F1256, F1456, INCLUDES HYDROSTATIC (GAS & DIESEL) (RED)	305021225	305021209	1246 1289
307021439	F766, F966, F1066, F1466, F1566, HYDRO 100 INCLUDES HYDROSTATIC (GAS & DIESEL) NOT 4-POST ROPS (RED)	305021225	305021209	1246 1289
307021440	I-454, I-464, I-574, I-674 INCLUDES HYDROSTATIC (GAS & DIESEL) (RED)	305021225	305021209	L305025125 1289
307022005	I-484, I-584, I-684, I-784, H84, 884, 884, 485, 585, 685, 885, 895 (NOT 695) (RED)	305021225	305021209	1246 1289
307022003*	FITS 16 TO 19 HP MUST HAVE FLAT FENDERS & FOOTRESTS. SINGLE BRAKE PEDAL. NO LEVERS OR BOXES ON FENDERS. NOT THE JD 318, 332, 400 (BLACK)	305021226	305021210	1247 1247
<b>MASSEY FERGUSON WITH/WITHOUT 2 POST ROPS</b>				
307021187*	50, 65 (MATIC ROW CROP OR HI-ARCH) (GAS, DIESEL, LPG) (RED)	305021225	305021209	1212 1213
307021345*	135, 2135 (GAS, DIESEL, SHELL FENDERS ONLY) (RED)	305021225	N/A	N/A

307021370	165 ROW CROP & STD W/UPRIGHT EXHAUST FRONT OF MANIFOLD(GAS, DIESEL) FLAT FENDERS ONLY (RED)	305021225	305021209	1212 1213
307021455	255, 265, 275, 285 (GAS, DIESEL, UP OR DOWN EXHAUST) (RED)	305021225	305021209	L305025125 R720667900
307022000	240, 250 2 DOOR (RED)	305021226	305021210	1246 1246
307022095*	362, 375, 383, 390, 398 W/WO LOADER UP EXHAUST ONLY ON LEFT SIDE(RED)	305021226	305021210	L305025125 R720667900
307022124*	1125, 1140, 1145, 1240, 1250, 1260, 1433V, 1140V, 1433, 1440, 1429(W/WO LOADER 1246), AGCO ST35x, ST40x, ST35 W/ L SERIAL # & UP, CHALLENGER MT265, MT275, MT285(W/WO LOADER) NOT ISOLATED DECK, NOT 1155/1455 (BLACK)	305021226	305021210	1248 1248
307022172*	AGCO GT SERIES (307425330 AGCO#) (BLACK)	305021226	305021210	1248 1248
307022173*	MT295, MT297, MF1445, MF1455 & ST45 (307425331) (BLACK)	305021226	305021210	1248 1248
307022174*	FITS 431, 461 (AGCO # 307425333) (RED)	305021226	305021210	1248 1248
307022175*	MF1533, 1540, 1635, 1643, 1648, 1652, 1655, 1660, AGCO ST34A, ST41A, CHALLENGER, MT265B, MT275B, MT285B (W/WO ML 40B LOADER) (BLACK)	305021226	305021210	1248 1248
307065295*	360 (W/WO LOADER) (VERTICAL OR HORIZONTAL EXHAUST)	305021226	305021210	L305025125 R720667900
	<b>MINNEAPOLIS MOLINE, OLIVER, WHITE, COCKSHUTT WITH/WITHOUT 2 POST ROPS</b>			
307021081+*	OLIVER-77, 88, 770, 880, COCKSHUTT 700 (ROW CROP) (GAS & DIESEL) (GREEN)	305021225	305021209	1213 1213
307021325	OLIVER & COCKSHUTT 1750, 1800, SERIES C, 1850, 1950 ROW CROP (GAS & DIESEL) (ADJ. STEERING WHEEL) (GREEN)	305021225	305021209	1212 1213
307021460	OLIVER & COCKSHUTT - 1550, 1555, 1600, 1650, 1655; WHITE - 2- 70; MINN.MOLINE - G-550, G-750(STD & FUEL TOP FENDERS) (GREEN)	305021225	305021209	1212 1213
307021461*	OLIVER & COCKSHUTT - 1755, 1855, 1955(ROW CROP); WHITE - 2-85, 2-105; MIN.MOLINE - G850, G940(STD. & FUEL TOP FENDERS) (GREEN)	305021225	305021209	1246 1289
307022103*	WHITE -60 & 80 HP AMERICAN SERIES (W/WO LOADER) (BLACK)	305021226	305021210	1246 1289
	<b>KIOTI WITH/WITHOUT 2 POST ROPS</b>			
307022134*	3054 W/WO LOADER	305021226	N/A	N/A
	<b>KUBOTA</b>			
307552123	L2900, L3010, L3300, L3410, L3600, L3710, L4200, L4310, L4610, GRAND L SERIES (WORKS W/KUBOTA LOADER ONLY) ORANGE VINYL	305021226	305021210	1248 1248
307022144	M4900, M5700, M6800, M8200, M9000, M5700SDN, M8500SDNB(WITH KUBOTA LOADER ONLY) (ORANGE)	305021226	305021210	1248 1248
307022185	"B" SERIES: B7410, B7510, B7610, B7800, B2630 (BLACK)	305021226	305021210	1248 1248



Femco, Inc.  
1132 W. 1st Street  
McPherson, Ks 6746  
(800) 677-0898  
[www.femcomfg.com](http://www.femcomfg.com)



## UNIVERSAL REAR ENTRY WEATHERBRAKE



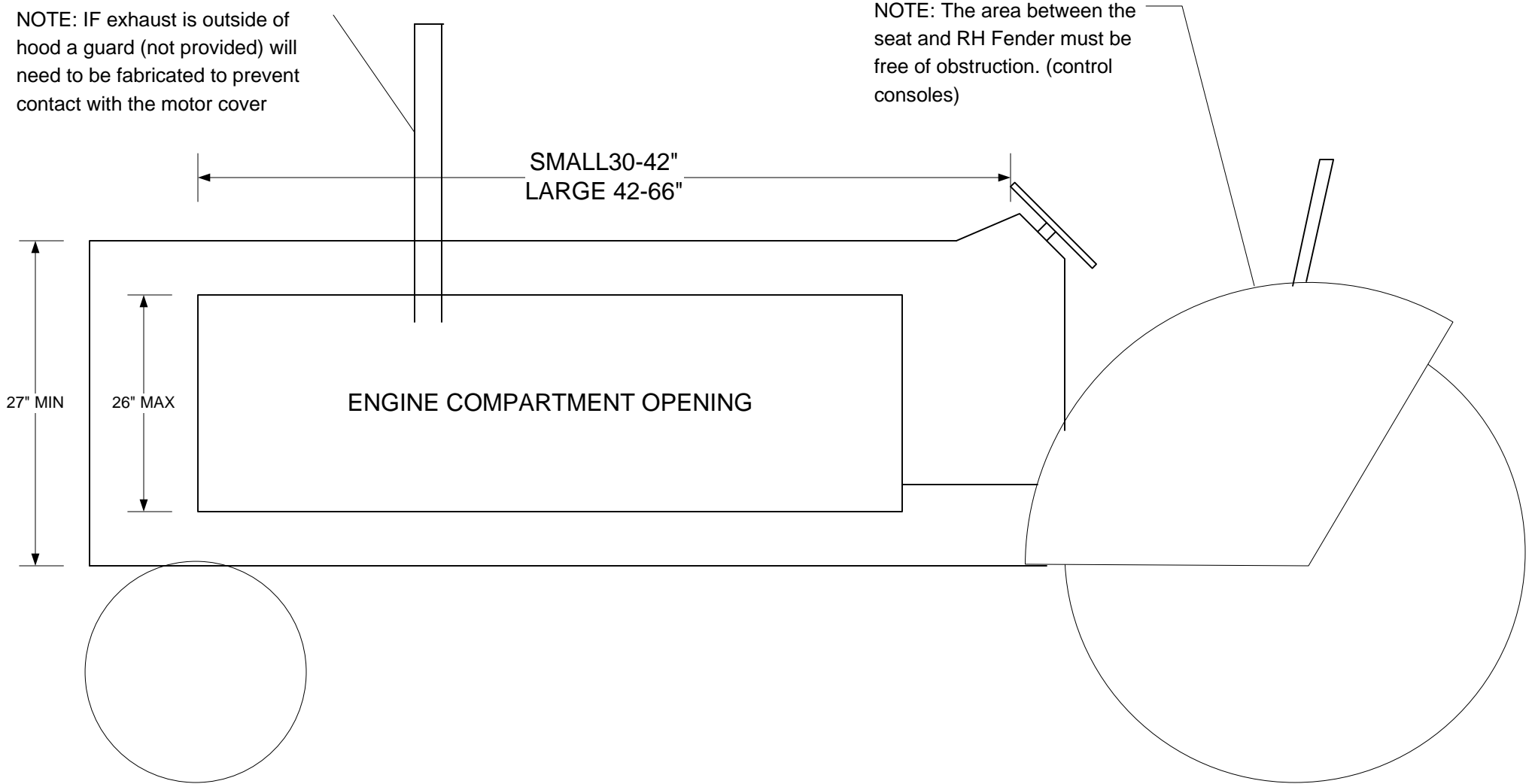
UNIVERSAL SIDE ENTRY WEATHERBRAKE  
AVAILABLE IN SMALL AND LARGE.

DESCRIPTION

# UNIVERSAL WEATHER BRAKE FIT CHART

NOTE: IF exhaust is outside of hood a guard (not provided) will need to be fabricated to prevent contact with the motor cover

NOTE: The area between the seat and RH Fender must be free of obstruction. (control consoles)



# FEMCO'S UNIVERSAL

## WEATHERBRAKE WITH TOP

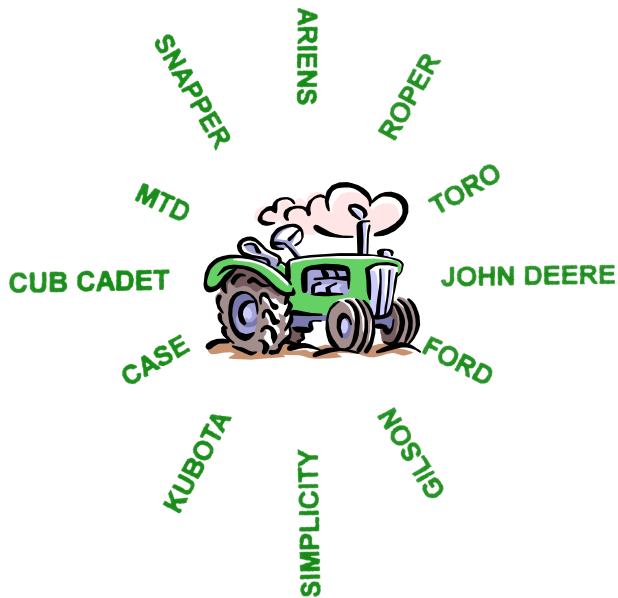
### FOR LAWN & GARDEN TRACTORS

*Fits 16 to 19hp Lawn & Garden Tractors with Flat or Near-flat Fender and Footrests*

*(No Levers or Tool Boxes on Fenders)*



**PART NO. 307022003**



- Provides Warmth and Protection
- Tooled and Tailored for a Tight Fit
- Reinforced black vinyl laminate – waterproof and resistant to ripping or rotting.
- Heavy Construction – nylon thread and double locking seams in stress areas. Reinforced brass grommets.
- Maximum Visibility Windshield – steel framed rigid plastic center with flexible clear vinyl side windows.
- Heavier, Longer Lasting Frame – rustproof heavy gauge steel with a powder coated finish.
- Fast and Easy Installation – no special tools needed

**FEMCO, Inc.**

**GENERAL OFFICES**  
1132 W. 1ST STREET  
McPherson, KS 67460  
Phone: 1-800-677-0898  
Fax (620) 241-3513  
Web: [www.femcomfg.com](http://www.femcomfg.com)  
Email: [femco@femcomfg.com](mailto:femco@femcomfg.com)

Don't let the cold wind blow  
you back inside.



## FEMCO WEATHER BRAKE FOR WALK BEHIND SNOW BLOWERS

ALSO FITS MOST NEW STYLE, TWO  
STAGE SNOW BLOWERS.



**HURRY WHILE SUPPLIES LAST  
ONCE THEY ARE GONE THEY  
WILL NO LONGER BE  
AVAILABLE**



Provides comfort plus protection against  
wind and blowing snow. Sturdy steel and  
tube frame with waterproof black vinyl top  
and side curtains. Clear vinyl front and side  
windows allow maximum visibility.



- CONTROL PANEL MUST NOT BE OVER 21 INCHES WIDE.
- LIGHTS MOUNTED ON CONTROL PANEL WILL BE COVERED.



**PART NO. 307022009**



**GENERAL OFFICES**

1132 W. 1ST STREET  
McPherson, KS 67460  
Phone: 1-800-677-0898  
Fax: (620) 241-3532  
Web: [www.femcomfg.com](http://www.femcomfg.com)  
Email: [femco@femcomfg.com](mailto:femco@femcomfg.com)

# SUMMER WEATHER PROTECTION

Engineered protection designed to install on most tractors.



With three models to choose from, these plastic canopies will fit many John Deere tractors. Canopies are constructed of strong, high impact ABS plastic and are covered with Korad for UV protection.



## The New Generation 5 Universal Canopy

This new design incorporates "softer curves" for today's style of tractors. The canopy is constructed of white ABS plastic with a UV protective skin. With the included mounting hardware, this canopy will accommodate up to a 5" ROPS. The dimensions of the canopy are 48" wide by 52" long.

Femco Part Number **312013388**



## Universal Canopy

This white ABS Plastic canopy, with a UV protective skin, will fit most square and rectangular ROPS that are used on small to medium sized tractors. Our model **312013084**, fits 2-post ROPS through 44" in width.

**FEMCO, Inc.**

### General Offices

1132 W. 1ST STREET  
McPherson, KS 67460  
Phone: 1-800-677-0898  
Fax: (620) 241-3532  
Web: [www.femcomfg.com](http://www.femcomfg.com)  
Email: [femco@femcomfg.com](mailto:femco@femcomfg.com)



# 312012513 CANOPY

## FOR FOLDING AND FIXED ROPS



FITS JOHN DEERE C.U.T. MODELS:  
4200-4700, 4210-4710, 5010 SERIES &  
5020 SERIES. (DOES NOT FIT THE  
5200, 5300, OR 5400) USE CANOPY  
MODEL 312012455.

**FEMCO, Inc.**

# YOUR SOURCE FOR WEATHER PROTECTION PRODUCTS PROUDLY INTRODUCES

## The New Generation 5 UNIVERSAL CANOPY



- New design, that incorporates "softer curves" for today's style of tractor
- Constructed of ABS Plastic with a UV protective skin
- New and improved mounting hardware (see picture below)
- Accommodates up to 5" ROPS
- Canopy dimensions are 48 inches wide by 52 inches long

312013388 (WHITE) & 312013468 (GREY)  
New Generation 5  
Universal Canopy

For More Information or to Place an  
Order Call

1-800-677-0898

Or Visit our Website

[www.femcomfg.com](http://www.femcomfg.com)



**FEMCO, Inc.**

**GENERAL OFFICES**  
1132 W. 1ST STREET  
McPherson, KS 67460  
Phone 1-800-677-0898  
Fax: 620-241-3532  
Web: [www.femcomfg.com](http://www.femcomfg.com)  
Email: [femco@femcomfg.com](mailto:femco@femcomfg.com)

# Universal Canopies

**Light weight  
Attractive  
Economical**

*From Femco*

The Universal Tractor Canopy will fit most square and rectangular ROPS used on small to medium sized utility tractors. This Canopy model fits two post tractor roll bars through 44" in width.

Constructed of strong, high-impact ABS plastic and weighs less than 70 pounds. These units have to ship via truck line. Freight is not included in price of unit.

The white exterior Korad finish complements any tractor on which it is being mounted. standing value that is maintenance free.



Call

**1-800-677-0898**

For Information or to Order.

Visit Our Website

**www.femcomfg.com**



Product No.	Roll Bar Size	Max. Roll Bar Width	Description	Approx. Ship Wt.
312013084	2" x 2", 2" x 3", 3" x 3" 2 1/2" x 5", 3 1/2 x 5 1/2 1" x 4", 1" x 6", 2" x 4"	44 Inches	Plastic Tractor Canopy (49 1/2" Width x 52" Length)	70 lbs.



**GENERAL OFFICES**  
1132 W. 1ST STREET  
McPherson, KS 67460  
Phone: 1-800-677-0898  
Fax: (620) 241-3532  
Web: www.femcomfg.com  
Email: femco@femcomfg.com

# TUFFTOP

The convertible top for tractors and mowers

Installs, **Folds Down** for Trailering, or **Removes** in Seconds Without Tools!!!



302022163  
Gray



302022164  
Red



302022162  
Universal White



302022166  
Green



302022165  
Orange

Call **1-800-677-0898** for the name of your nearest dealer.



UPS Shippable

- Strong steel frame is powder coated.
- Tough thermoplastic top panels and all parts easily replaced.
- Fits all ROPS equipped tractors with 2" square or 2" x 3" ROPS.
- Adjustable to fit: forward leaning, vertical or rear leaning ROPS.

## SPECIFICATIONS

Height: Adds 5" to overall height of tractor once mounted to ROPS

Width: 44"

Length: 44"

Coverage: 13.23 sq. ft. actual

Adjustment Range: 11° Fore and Aft in 3° increments

Materials and Finishes: Steel framework and brackets are "e" coated and then powder coated. All hardware and fasteners are zinc plated. Top panels are .150" thick HDPE (high density polyethylene) with a laminated UV solar cap.)

Weight: Roll Bar Mounting Bracket: 8 lbs., Canopy: 24 lbs.

Shipping Weight: 39 Pounds



1132 W. 1ST STREET  
McPherson, KS 67460  
Phone: 1-800-677-0898  
Fax: (620) 241-3532  
Web: [www.femcomfg.com](http://www.femcomfg.com)  
Email: [femco@femcomfg.com](mailto:femco@femcomfg.com)

# TUFFTOP

The convertible top for tractors and mowers

**Installs, Folds Down** for Trailering, or **Removes** in Seconds Without Tools!!!



302022162  
Universal White



UPS Shippable

- Strong steel frame is “e” coated and powder coated.
- Tough thermoplastic top panels and all parts easily replaced.
- Fits all ROPS equipped tractors with 2” square or 2” x 3” ROPS.
- Adjustable to fit: forward leaning, vertical or rear leaning ROPS.



## SPECIFICATIONS

Height: Adds 5” to overall height of tractor once mounted to ROPS

Width: 44”

Length: 44”

Coverage: 13.23 sq. ft. actual

Adjustment Range: 11° Fore and Aft in 3° increments

Materials and Finishes: Steel framework and brackets are “e” coated and then powder coated. All hardware and fasteners are zinc plated. Top panels are .150” thick HDPE (high density polyethylene) with a laminated UV solar cap.)

Weight: Roll Bar Mounting Bracket: 8 lbs., Canopy: 24 lbs.

Shipping Weight: 39 Pounds

**DISTRIBUTED BY**

**FEMCO, Inc.**

1132 W. 1ST STREET  
McPherson, KS 67460  
Phone: 1-800-677-0898  
Fax: (620) 241-3532  
Web: [www.femcomfg.com](http://www.femcomfg.com)  
Email: [femco@femcomfg.com](mailto:femco@femcomfg.com)

FEMCO TUFF TOP

# TUFFTOP

**The convertible top for tractors and mowers.  
Installs, Folds Down for Trailering, or Removes in Seconds Without  
Tools!!!**



**Powder coated.**

**Tough thermoplastic top panels and all parts easily replaced.  
Fits all ROPS equipped tractors with 2" square or 2" x 3" ROPS.  
Adjustable to fit: forward leaning, vertical or rear leaning ROPS.**

- **44" x 44" fits 2 x 2 & 2 x 3 ROPS**
  - # 302022162 SCR-44 White
  - # 302022164 SCR-44 Red
  - # 302022165 SCR-44 Orange
  - # 302022166 SCR-44 JD Green
  - # 302022169 SCR-44 Gray
- **48" w X 52" l fits 2 x 2 & 2 x 3 ROPS**
  - # 302022187 XLR-52 White
  - # 302022189 XLR-52 Red
  - # 302022190 XLR-52 Orange
  - # 302022191 XLR-52 JD Green
  - # 302022192 XLR-52 Gray

# SNOWCO SUNSHADE



**SNOWCO BUGGY TOP SUNSHADES PROVIDE SIMPLE INSTALLATION AND ADJUSTABILITY WITH A WIDE SHADE AREA. 2 SIZES AND A UNIVERSAL DESIGN ALLOWS IT TO FIT MOST AGRICULTURAL, CONSTRUCTION AND COMMERCIAL EQUIPMENT.**

**FEATURES:**

- \*MOUNTING BRACKET DESIGN WHICH ALLOWS IT TO FIT OVER MOST ROPS.
- \*180 DEGREE FORWARD OR BACKWARD ROTATION
- \*WATER RESISTANT CANVAS COVERS
- \*PRE ASSEMBLED COMPONENTS MAKE FIELD ASSEMBLY FAST AND EASY.
- \*YELLOW DICHROMATE ZINC PLATED STEEL PROVIDES A CORROSION RESISTENT, DURABLE FINISH, NO PAINTED PARTS.

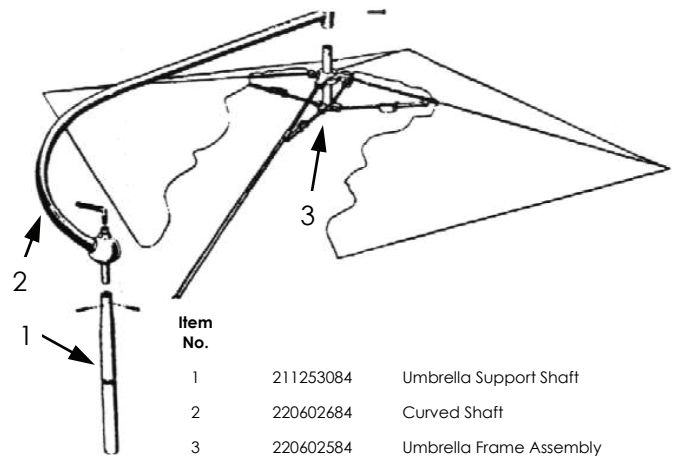
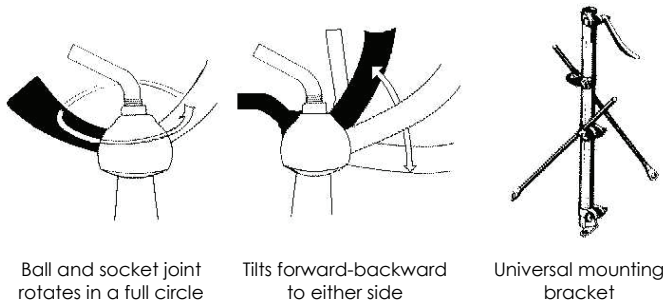


**GENERAL OFFICES**  
1132 W. 1ST STREET  
McPherson, KS 67460  
Phone: 1-800-677-0898  
Fax: (620) 241-3532  
Web: [www.femcomfg.com](http://www.femcomfg.com)  
Email:  
[femco@femcomfg.com](mailto:femco@femcomfg.com)

# Umbrellas

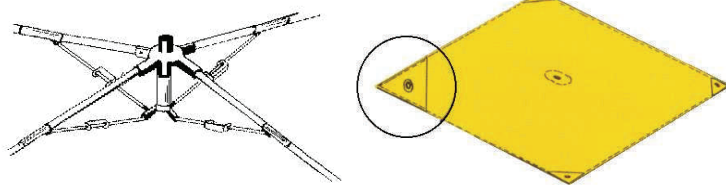
## Insures protection against rain and sun

- For Tractors, Combines, Industrial and other equipment requiring operator sunshade protection.
- Umbrella covers are available in canvas or vinyl.
- Complete umbrella consists of cover, bracket, and frame.
- Metal parts are zinc-coated for long-lasting, maintenance-free service.
- Shafts constructed on 1 1/4" heavy duty steel tubing.
- Rigid framework for cover, withstands farm and industrial use.
- Universal mounting bracket adapts to all types of equipment.



Item No.		
1	211253084	Umbrella Support Shaft
2	220602684	Curved Shaft
3	220602584	Umbrella Frame Assembly
	220604484	Universal Mounting Bracket*
	729212600	Hardware Bag**

\* Shown at Left  
\*\* Not Shown



Frame features four tempered steel bows which are locked into place by a spring-steel clip.

Covers available in either canvas or vinyl. Reinforced corner grommets and center grommet.

Product	Product No.
1 of 2 Frame with bracket	315022126
<b>Cover</b>	
2 of 2 Yellow Canvas	311022014
Red Laminated Vinyl	311022015
Yellow Laminated Vinyl	311022029
Red Canvas	311022072
White Canvas	311022073



Provides maximum space for standing operator.

Tilts to any angle.

Folds to one side when not in use.



### GENERAL OFFICES

1132 W. 1ST STREET  
McPherson, KS 67460  
Phone: 1-800-677-0898  
Fax (620) 241-3532  
Web: [www.femcomfg.com](http://www.femcomfg.com)  
Email: [femco@femcomfg.com](mailto:femco@femcomfg.com)





1132 W. 1ST STREET  
McPherson, KS 67460  
(620) 241-3513  
(800) 677-0898  
Website: www.femcomfg.com

*Introducing the newest edition to our line of Sun Protection*

## **RU-50 ROPS Umbrella**

**For Mounting on Roll Over Protection Bar**



Simple and effective way to protect yourself from the sun. It mounts directly to the ROPS structure without drilling. Comes complete with umbrella frame, mounting bracket and cover.

*Complete ROPS Umbrella part numbers listed below*

Part#: 405969—ROPS Umbrella/Mounting Brkt./Yellow Canvas Cover

Part#: 405968—ROPS Umbrella/Mounting Brkt/ White Canvas Cover

*Fits tube sizes 2" x 2" up to 3" x 3" only*

*Also available in complete kits with the following colors:*

#405967 Complete kit w/ Red cover

#405966 Complete kit w/ Orange cover

*Replacement Covers:*

#405074 Green, #405373 Red, #405370 Blue, #405518 Orange

#405600= ROPS Umbrella/Mtg. Brkt./ Less Cover

# The TU-46 Lawn & Garden Umbrella

*Get your sun  
protection  
today!*



- **Simple Installation**
- **Fits most lawn and grounds care equipment**
- **Built to withstand strong winds**
- **41.5" for lawn and grounds applications**
- **Made with water resistant canvas duck covers**

**FEMCO, Inc.**

**GENERAL OFFICES**  
1132 W, 1ST STREET  
McPherson, KS 67460  
Phone: 1-800-677-0898  
Fax: (620) 241-3532  
Web: [www.femcomfg.com](http://www.femcomfg.com)  
Email: [femco@femcomfg.com](mailto:femco@femcomfg.com)